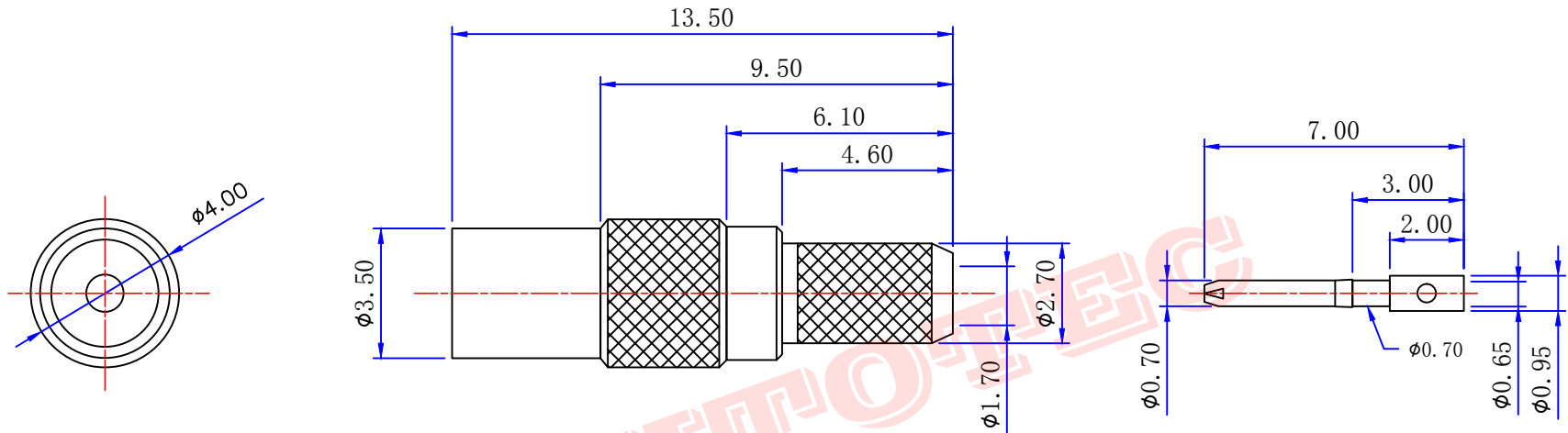




Product NO.		RHT-631-1008		
ISSUE	DESCRIPTION	DWN	DATE	APPROVEN
First	First issue	chen	2018/01/15	JIM. KING



Specifications
 Impedance: 50 Ohms
 Frequency Range: 0~6Ghz
 VSWR: 1.25max
 Working Voltage: <170 Vrms @ sea level
 Insulation Resistance: 5000 Ohms min
 Temperature Range: -65°C TO +155°C
 Drawings products are in line with ROHS standards

-TOLERANCES- UNLESS OTHERWISE SPECIFIED	RENHOTEC GROUP www.renhotec.com	
	PART DESCRIPTION: MMCX JACK FOR RG316 CABLE	
UNLESS OTHERWISE SPECIFIED TOLERANCES FOR MILLIMETERS ARE: 0.5 - 8mm ± 0.10mm 8 - 30mm ± 0.15mm 30 - 120mm ± 0.20mm	Appr: JIM. KING	P/N: RHT-631-1008
	Check:	Date: 2018.01.15
	Draw: chen	Scale: Free Unit: MM Type: Z Page: 1/1

NO	DESCRIPTION	MATERIAL	FINISH	QTY
4	FERRULE	BRASS	NICKEL	
3	PIN	BRASS	GOLD	1
2	INSULATOR	TEFLON	NONE	1
1	BODY	BRASS	GOLD	1