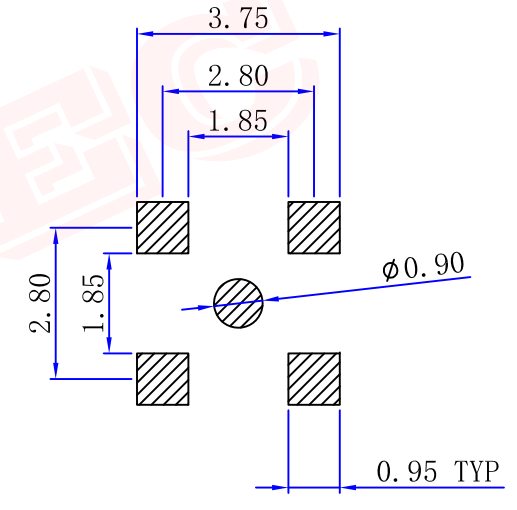
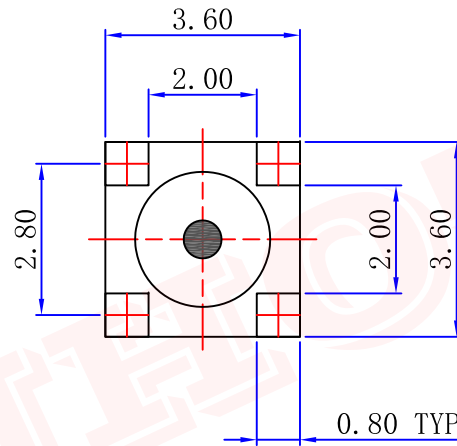
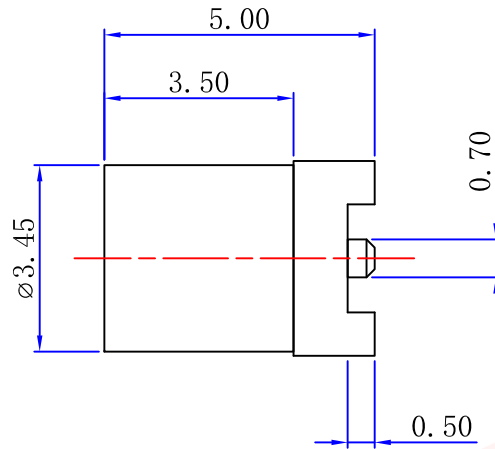




Product NO. RHT-631-1007

ISSUE	DESCRIPTION	DWN	DATE	APPROVEN
First	First issue	Gavin	2020/05/19	JIM. KING



RECOMMEND P. C. B LAYOUT

Specifications

Impedance: 50 Ohms
 Frequency Range: 0~6GHz
 VSWR: 1.5max
 Working Voltage: <170 Vrms @ sea level
 Insulation Resistance: 5000 Ohms min
 Temperature Range: -40°C TO +165°C

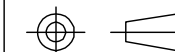
NO	DESCRIPTION	MATERIAL	FINISH	QTY
3	PIN	BRASS	GOLD	1
2	INSULATOR	PTFE	NONE	1
1	BODY	BRASS	GOLD	1

-TOLERANCES-
UNLESS OTHERWISE
SPECIFIED

UNLESS OTHERWISE SPECIFIED
TOLERANCES FOR MILLIMETERS ARE:
 0.5 - 8mm ± 0.10mm
 8 - 30mm ± 0.15mm
 30 - 120mm ± 0.20mm



RENHOTEC GROUP



PART DESCRIPTION:
MMCX JACK VERTICAL SMT 50 OHM

Appr: JIM. KING

P/N: RHT-631-1007

Check:

Date	Scale	Unit	Type	Page
2020.05.19	Free	MM	Z	1/1

Draw: Gavin