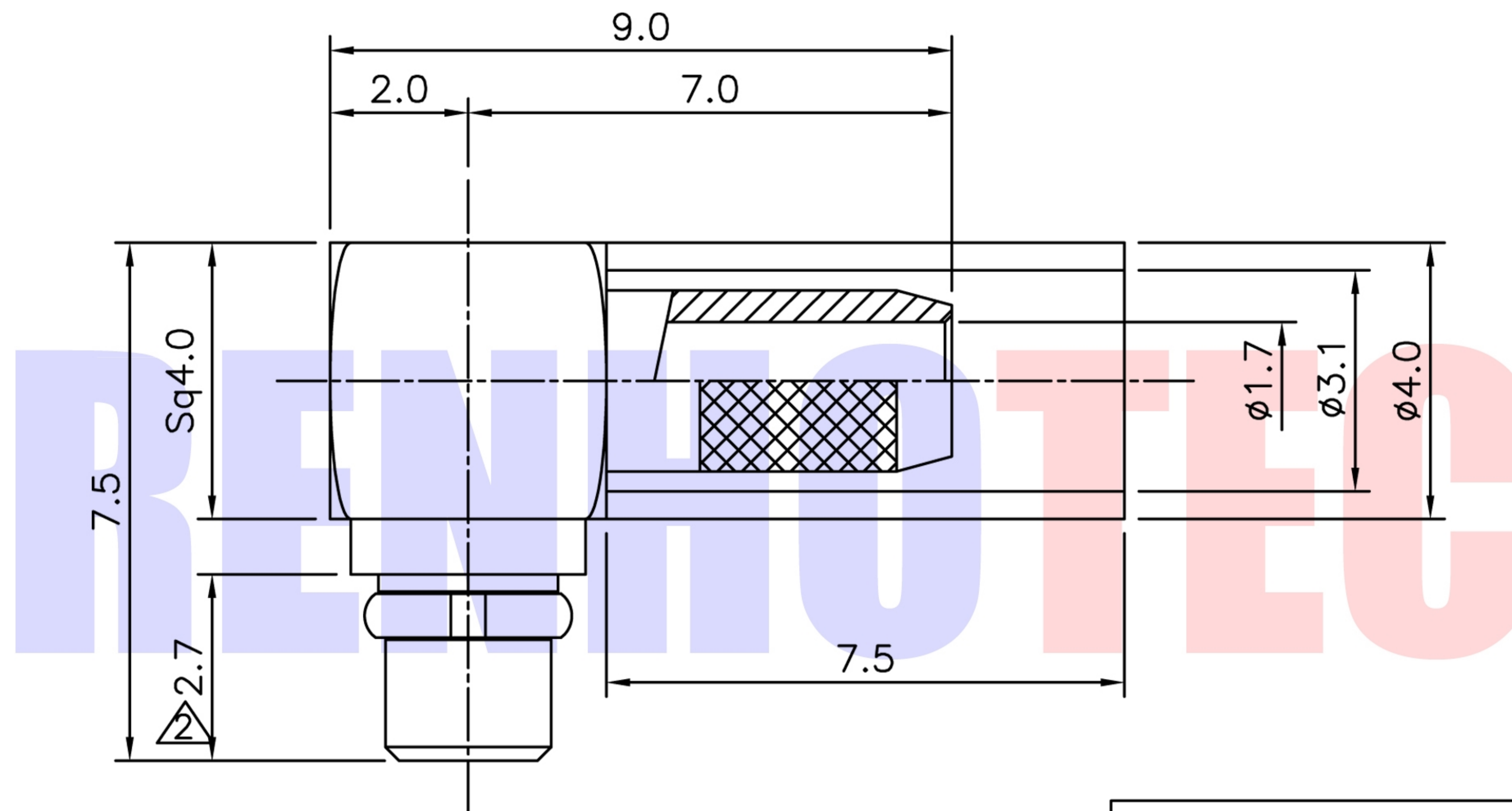




Product NO.	Renhotec-631-0111			
REV	DESCRIPTION	DWN	DATE	APPROVEN
A	First issue	Mr. Wang	2017/2/24	John kine



Item	Materials	Plating
Body	Brass	Gold Plated
C-Ring	Be-Cu	Gold Plated
Center contact	Brass	Gold Plated
Ferrule	Brass	Gold Plated
Insulator	PTFE	-

Frequency Range	DC-6GHz
Engagement Force	3.4 lbs MAX
Disengagement Force	1.4 lbs TO 3.4 lbs
Durability	500 cycles
Characteristic Impedance	50Ω

NOTE:		Tolerance	0-6 ±0.10
			6-30 ±0.20
			30-120 ±0.30
			Angular ±2°
DRAWN	Zelin. Zhang	2017/2/24	View
CHECKED			
APPROVALS		2017/2/24	SCALE
John Kine			



RENHOTEC GROUP

Name: MMCX R/A Plug for-RG316

UNIT	MM	SIZE A	Product NO. RHT-631-0111	REV B
DateTime	2017/2/24	CAD FILE	D/company drawings/BD	SHEET: 1 OF 1