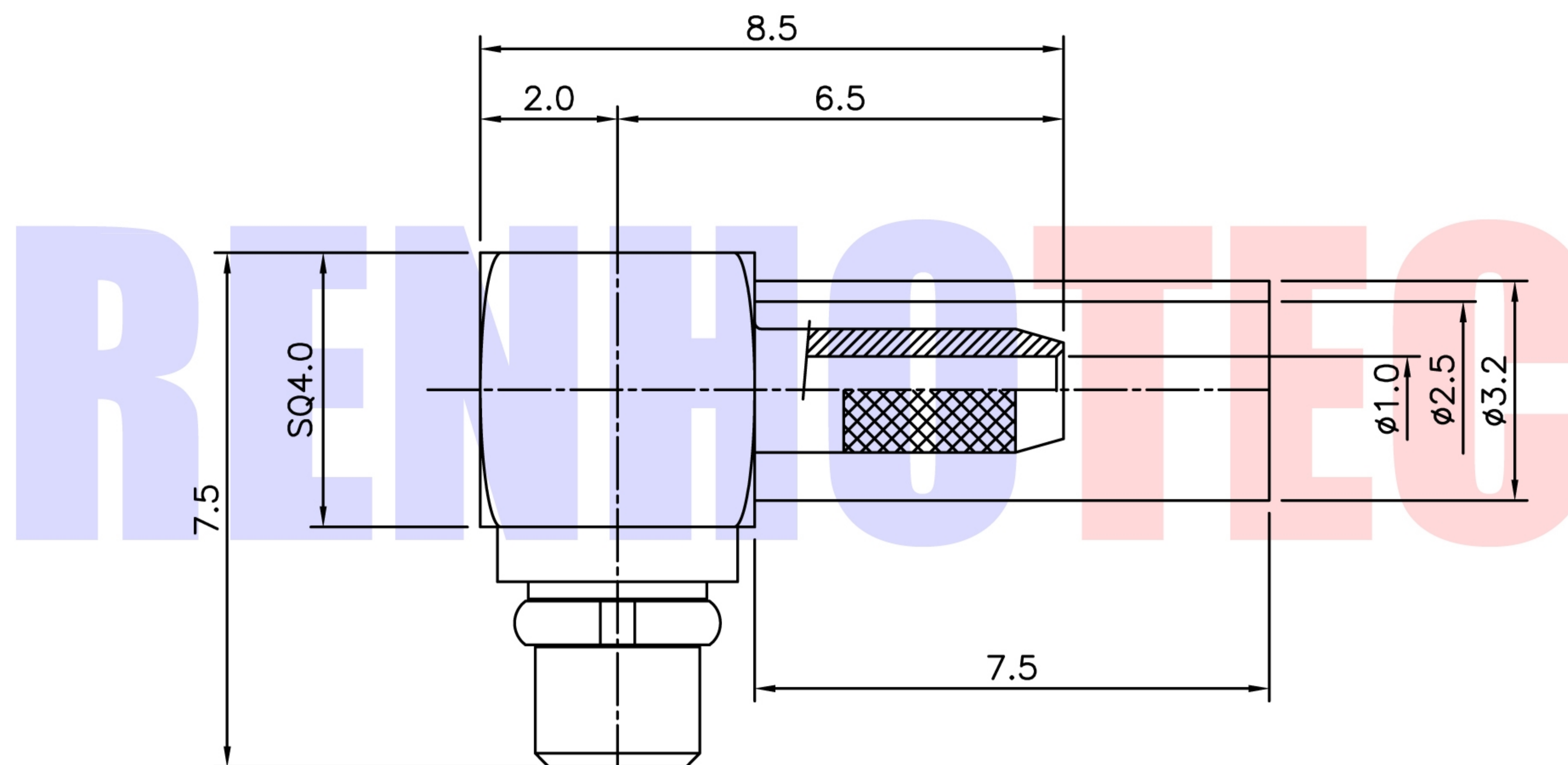




**SPECIFICATIONS**

Impedance ; 50ohm  
 Frequency range ; DC~6GHz  
 V.S.W.R : 1.3:1max @6GHz  
 Working voltage : 170 VRMS  
 Temperature range : -55°C to +155°C

Product NO.	Renhotec-631-0110			
REV	DESCRIPTION	DWN	DATE	APPROVEN
A	First issue	Mr. Wang	2017/2/24	John kine



Item	Materials	Plating
Body	Brass	Gold Plated
C-Ring	Be-Cu	Gold Plated
Center contact	Brass	Gold Plated
Ferrule	Brass	Gold Plated
Insulator	PTFE	-

NOTE :		Tolerance	0-6 ±0.10 6-30 ±0.20 30-120 ±0.30 Angular ±2°
DRAWN	Zelin. Zhang 2017/2/24	View	
CHECKED		UNIT	MM
APPROVALS	John Kine 2017/2/24	SCALE	1:1



**RENHOTECH GROUP**

Name: MMCX R/A Plug for-RG178B/U			
SIZE	Product NO.	RHT-631-0110	REV
A			B
DateTime	CAD FILE	SHEET: 1 OF 1	
2017/2/24	D/company drawings/BD		