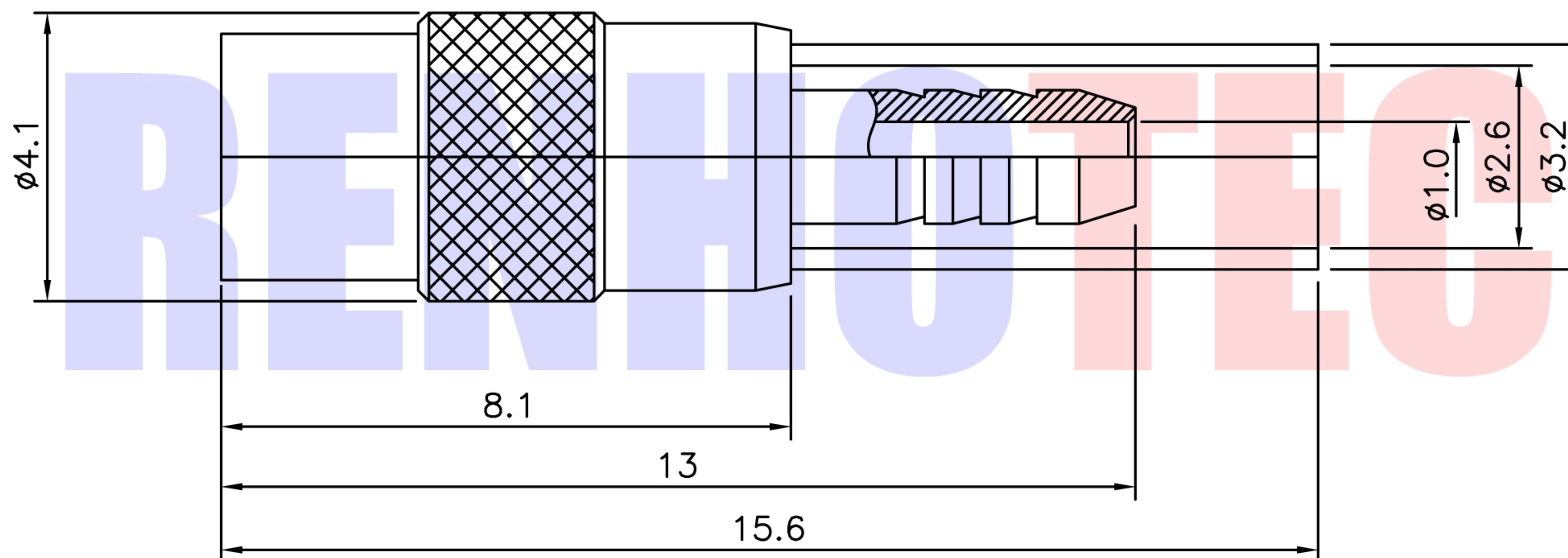




SPECIFICATIONS

Impedance ; 50ohm
 Frequency range ; DC~6GHz
 V.S.W.R : 1.3:1max @6GHz
 Working voltage : 170 VRMS
 Temperature range : -55°C to +155°C

Product NO.	Renhotec-631-0106			
REV	DESCRIPTION	DWN	DATE	APPROVEN
A	First issue	Mr. Wang	2017/2/24	John kine



Item	Materials	Plating
Body	Brass	Gold Plated
Center contact	Be-Cu	Gold Plated
Ferrule	Brass	Gold Plated
Insulator	PTFE	-

NOTE:		Tolerance	0-6	±0.10
DRAWN Zelin. Zhang 2017/2/24			6-30	±0.20
CHECKED		View	30-120	±0.30
APPROVALS <i>John Kine</i> 2017/2/24			Angular	±2°
		UNIT	MM	
		SCALE	1:1	



RENHOTEC GROUP

Name: MMCX Straight Jack for Cable-RG178			
SIZE A	Product NO. RHT-631-0106	REV B	
DateTime 2017/2/24	CAD FILE D/company drawings/BD	SHEET: 1 OF 1	