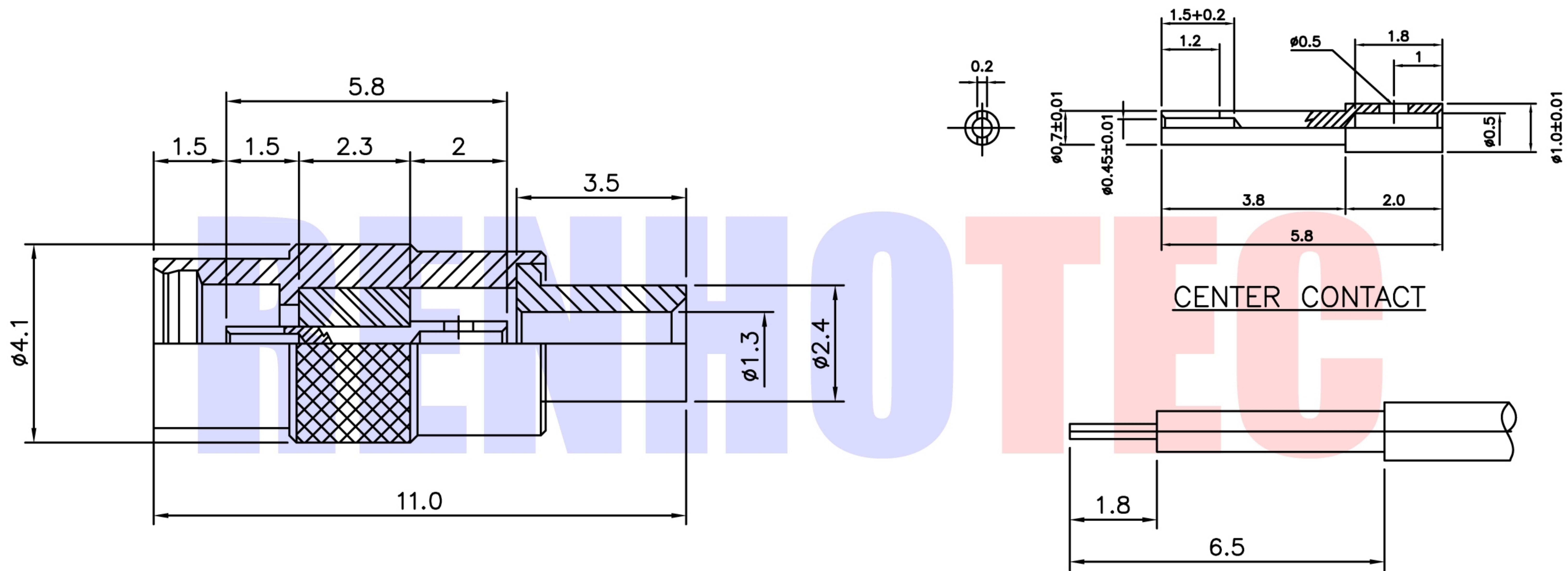




**SPECIFICATIONS**

Impedance ; 50ohm  
 Frequency ; DC~6GHz  
 Temperature range : -55°C to +155°C  
 2002/95/EC (RoHS) : Compliant

Product NO.	Renhotec-631-0104			
REV	DESCRIPTION	DWN	DATE	APPROVEN
A	First issue	Mr. Wang	2017/2/24	John kine



RECOMMENDED CABLE STRIPPING DIM'S

Item	Materials	Plating
Body	Brass	Gold Plated
Center contact	Beryllium copper	Gold Plated
Insulator	PTFE	-

NOTE:		Tolerance	0-6	$\pm 0.10$
DRAWN Zelin. Zhang 2017/2/24			6-30	$\pm 0.20$
CHECKED		View	30-120	$\pm 0.30$
APPROVALS John Kine 2017/2/24			Angular	$\pm 2^\circ$
		UNIT	MM	
		SCALE	1:1	



**RENHOTEC GROUP**

Name: MMCX Straight Jack for Cable-UT047			
SIZE A	Product NO. RHT-631-0104	REV B	
DateTime 2017/2/24	CAD FILE D/company drawings/BD	SHEET: 1 OF 1	