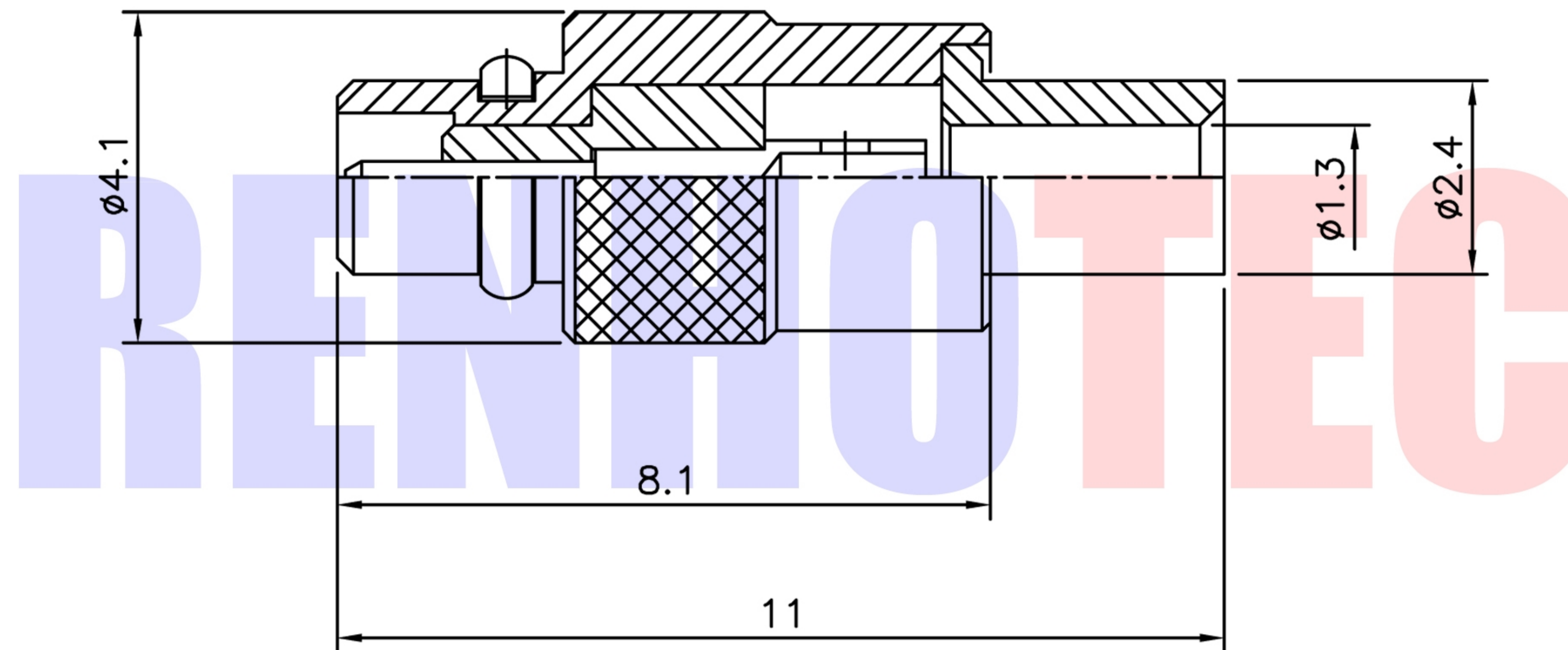




Product NO.	Renhotec-631-0100			
REV	DESCRIPTION	DWN	DATE	APPROVEN
A	First issue	Mr. Wang	2017/2/24	John kine



Item	Materials	Plating
Body	Brass	Gold Plated
C-Ring	Be-Cu	Gold Plated
Center contact	Brass	Gold Plated
Insulator	PTFE	-

NOTE:		Tolerance	0-6	±0.10
DRAWN Zelin. Zhang 2017/2/24			6-30	±0.20
CHECKED		View	30-120	±0.30
APPROVALS <i>John Kine</i> 2017/2/24			Angular	±2°
		UNIT	MM	
		SCALE	1:1	



RENHOTECH GROUP

Name: MMCX Straight Plug UT047

SIZE A	Product NO. RHT-631-0100	REV B
DateTime 2017/2/24	CAD FILE D/company drawings/BD	SHEET: 1 OF 1