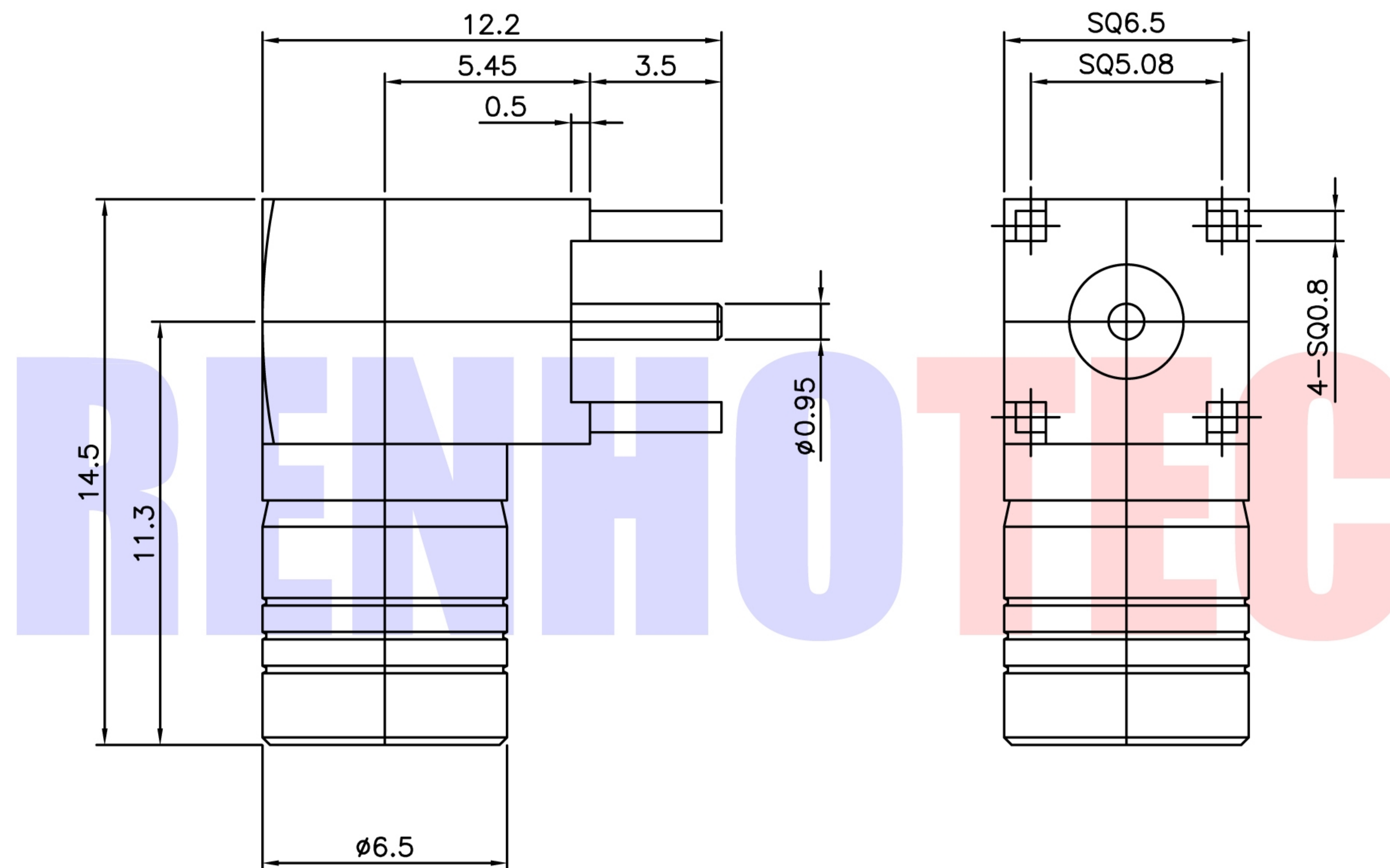




Product NO.	Renhotec-626-0236			
REV	DESCRIPTION	DWN	DATE	APPROVEN
A	First issue	Mr. Wang	2017/3/7	John kine



Connector parts	Materials	Finish
Sleeve	Brass	Gold Plated
Body	Brass	Gold Plated
Center contact	Be-Cu	Gold Plated
	Brass	Gold Plated
Insulator	PTFE	-

NOTE:		Tolerance	0-6 ± 0.10 6-30 ± 0.20 30-120 ± 0.30 Angular $\pm 2^\circ$
DRAWN Zelin. Zhang	2017/3/7	View	
CHECKED		UNIT	MM
APPROVALS John Kine	2017/3/7	SCALE	1:1



RENHOTECH GROUP

Name: SMB R/A Plug PCB Mount			
SIZE A	Product NO. RHT-626-0236	REV A	B
DateTime 2017/3/7	CAD FILE D/company drawings/BD	SHEET: 1 OF 1	