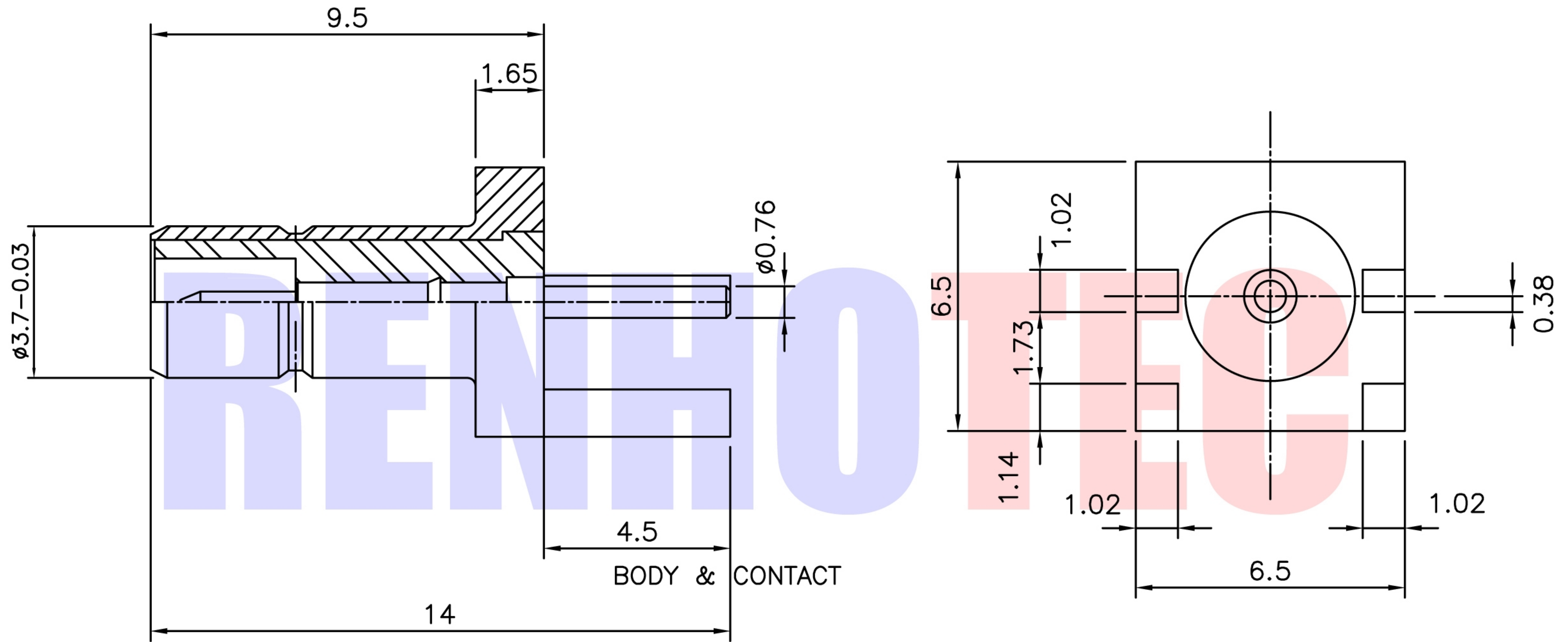




Product NO.	Renhotec-626-0233			
REV	DESCRIPTION	DWN	DATE	APPROVEN
A	First issue	Mr. Wang	2017/3/6	John kine



Connector parts	Materials	Finish
Body	Brass	Gold Plated
Center contact	Brass	Gold Plated
Insulator	PTFE	-

SMB End Launch JACK Receptacle  
-Round Contact(1.57mm PCB)

NOTE:		Tolerance	0-6 $\pm 0.10$ 6-30 $\pm 0.20$ 30-120 $\pm 0.30$ Angular $\pm 2^\circ$	 www.renhotec.com		
DRAWN	2017/3/6					
Zelin. Zhang		View		Name: Edge Mount SMB Jack		
CHECKED		UNIT	MM	SIZE	Product NO. RHT-626-0233	REV
APPROVALS	2017/3/6	SCALE	1:1	A	DateTime	2017/3/6
John Kine					CAD FILE	D/company drawings/BD
						SHEET: 1 OF 1