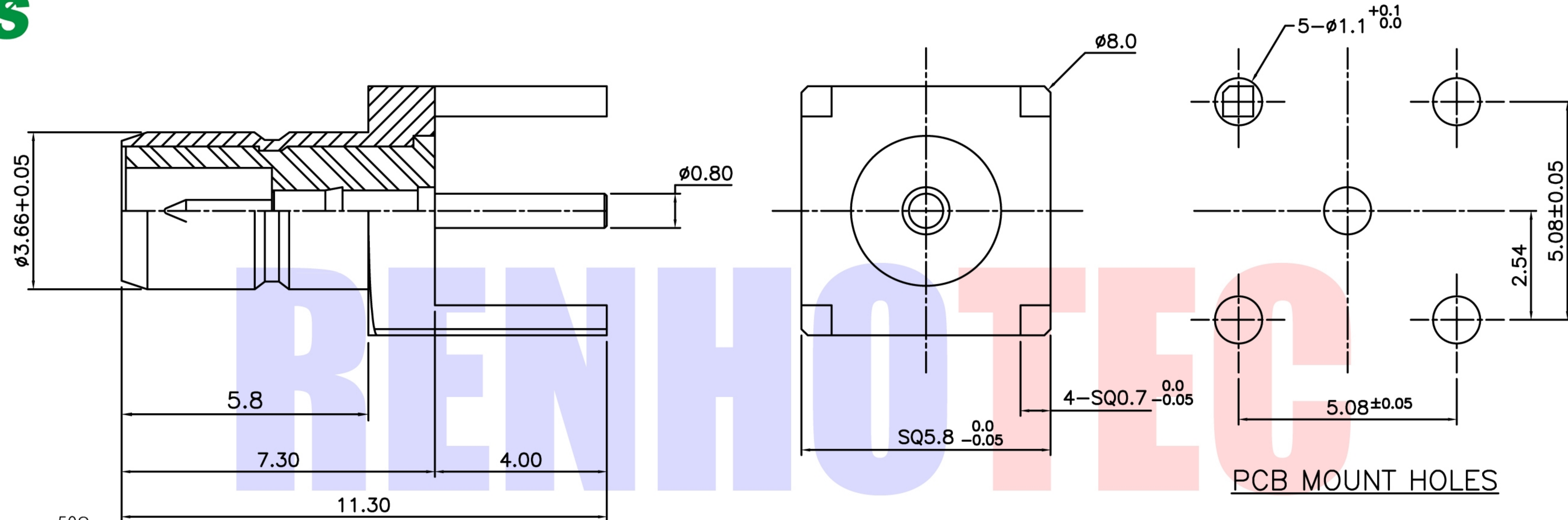




Product NO.	Renhotec-626-0231			
REV	DESCRIPTION	DWN	DATE	APPROVEN
A	First issue	Mr. Wang	2017/3/6	John kine



ELECTRICAL DATA

Impedance	50 Ω
Frequency range	DC ~ 4GHz
Contact current	DC 1.5A max
Voltage rating	250V rms
Contact resistance	Center contacts : 3.0m Ω Outer contacts : 0.5m Ω
Insulation resistance	1000M Ω min.
Insertion loss	0.6dB max
V.S.W.R	Straight 1.3+0.04f(GHz) Right angle 1.4+0.06f(GHz)
RF leakage	-55dBm min. between 2~3GHz

ENVIRONMENTAL DATA

Temperature range	-65 $^{\circ}$ c ~ +125 $^{\circ}$ c
Corrosion resistance	MIL-STD-202, Method 101, Condition B.
Moisture resistance	MIL-STD-202, Method 106
Thermal shock	MIL-STD-202, Method 107, Condition B.
Vibration	MIL-STD-202, Method 204, Condition D.

Item	Materials	Plating
Body	Brass	Gold Plated
Center contact	Beryllium copper	Gold Plated
Insulator	PTFE	-

NOTE :		Tolerance	0-6 ± 0.10 6-30 ± 0.20 30-120 ± 0.30 Angular $\pm 2^{\circ}$		
DRAWN	2017/3/6				
Zelin. Zhang		View		Name: SMB Straight Jack PCB Mount	
CHECKED		UNIT	MM	SIZE A	Product NO. RHT-626-0231
APPROVALS	2017/3/6	SCALE	1:1	DateTime	CAD FILE
John Kine				2017/3/6	D/company drawings/BD
				SHEET: 1 OF 1	