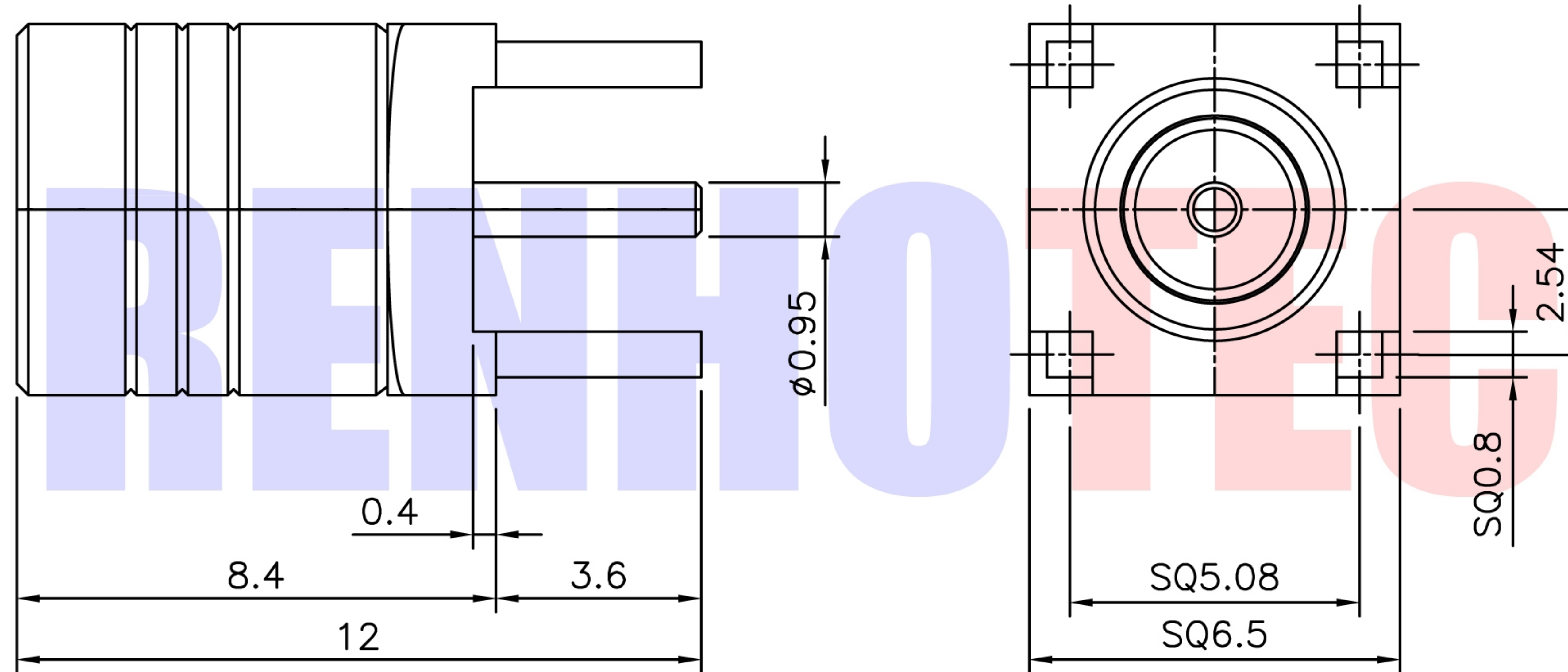




Product NO.	Renhotec-626-0228			
REV	DESCRIPTION	DWN	DATE	APPROVEN
A	First issue	Mr. Wang	2017/3/6	John kine



Item	Materials	Plating
Body	Brass	Gold Plated
Center contact	Be-Cu	Gold Plated
Insulator	PTFE	-

NOTE:		Tolerance	0-6	$\pm 0.10$
DRAWN Zelin. Zhang			6-30	$\pm 0.20$
2017/3/6		View	30-120	$\pm 0.30$
CHECKED			Angular	$\pm 2^\circ$
APPROVALS <i>John Kine</i>		UNIT	MM	
2017/3/6		SCALE	1:1	



**RENHOTEC GROUP**

Name: SMB Straight PCB Plug

SIZE A	Product NO. RHT-626-0228	REV B
DateTime 2017/3/6	CAD FILE D/company drawings/BD	SHEET: 1 OF 1