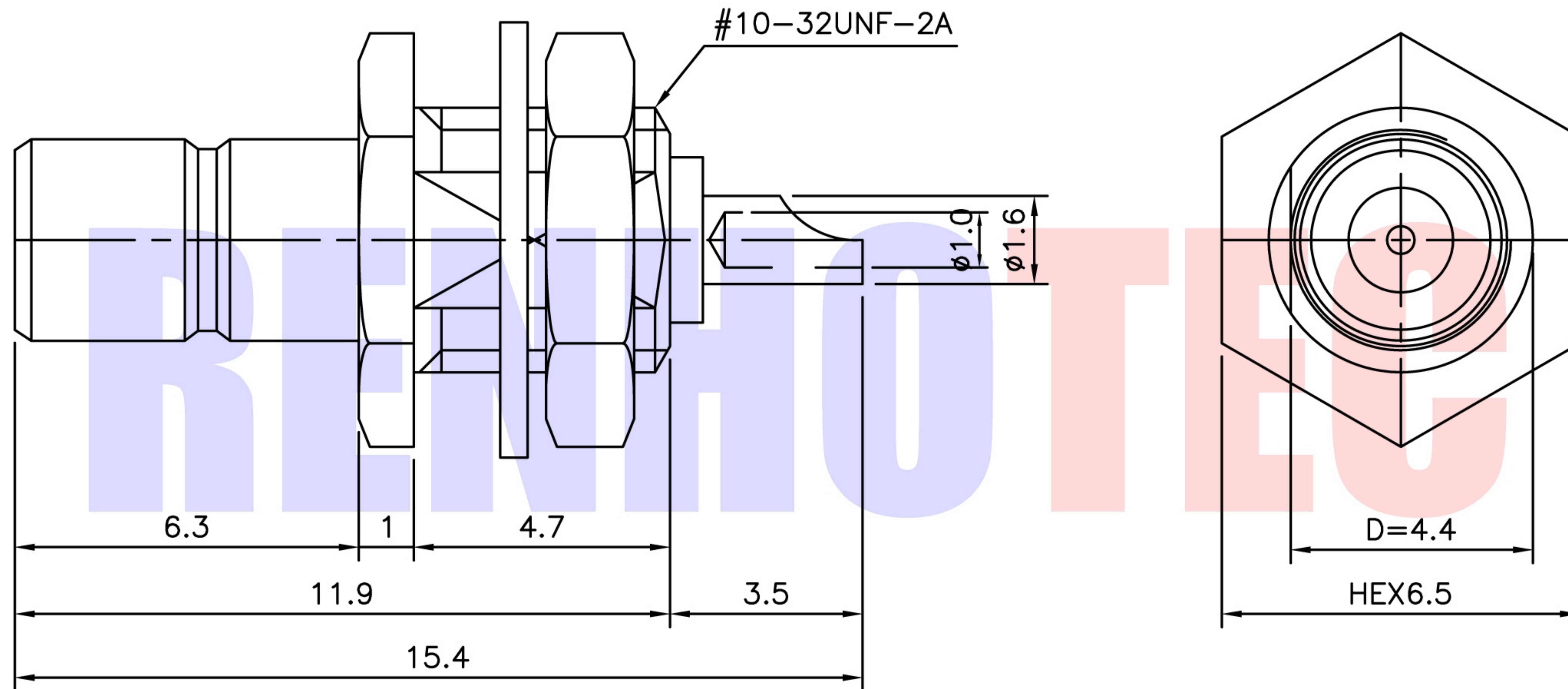




Product NO.	Renhotec-626-0223			
REV	DESCRIPTION	DWN	DATE	APPROVEN
A	First issue	Mr. Wang	2017/3/6	John kine



Connector parts	Materials	Finish
Body,Nut,Washer	Brass	Gold Plated
Center contact	Brass	Gold Plated
Insulator	PTFE	-

SMB Bulkhead Receptacle  
Front Mount-JACK (Solder pot)

NOTE:		Tolerance	0-6 ±0.10		
			6-30 ±0.20		
DRAWN Zelin. Zhang 2017/3/6		View	30-120 ±0.30	Name: SMB Bulkhead Receptacle Front Mount Jack	
CHECKED			Angular ±2°		
APPROVALS <i>John Kine</i> 2017/3/6		UNIT	MM	SIZE A	Product NO. RHT-626-0223
		SCALE	1:1	DateTime 2017/3/6	CAD FILE D/company drawings/BD
				SHEET: 1 OF 1	