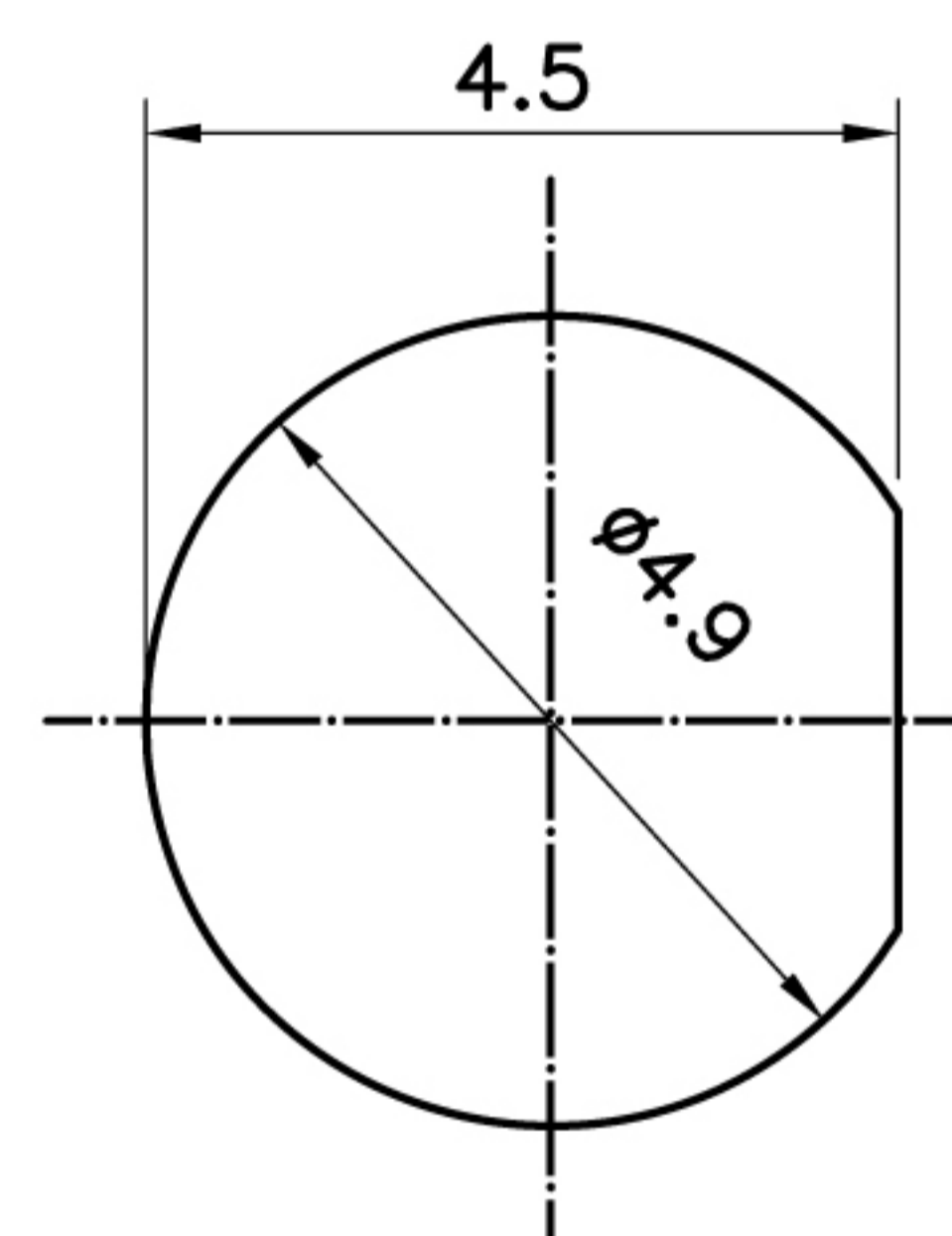
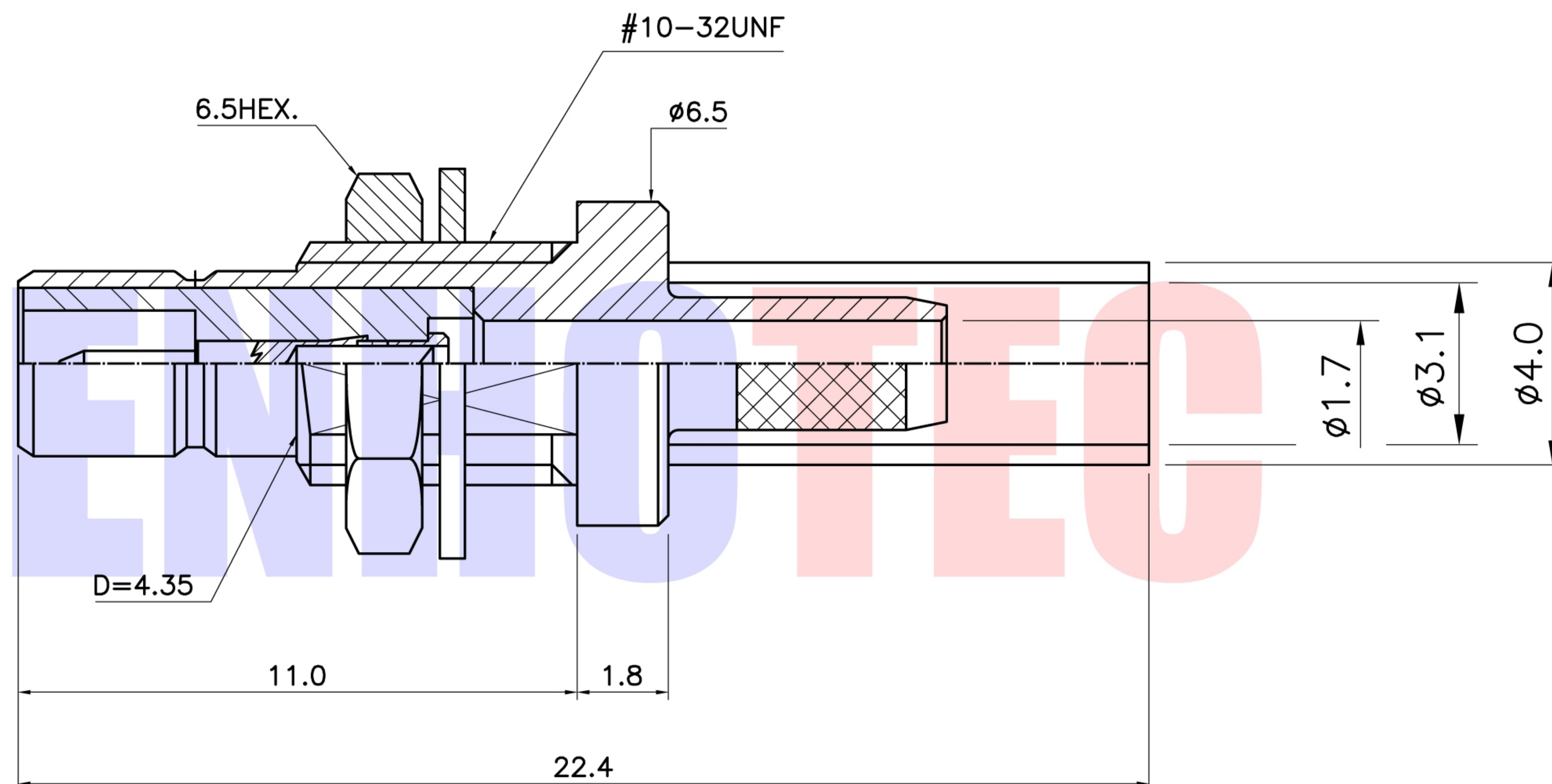




Product NO.	Renhotec-626-0221			
REV	DESCRIPTION	DWN	DATE	APPROVEN
A	First issue	Mr. Wang	2017/3/6	John kine



MOUNT HOLE



Connector parts	Materials	Finish
Body	Brass	Gold Plated
Center contact	Brass	Gold Plated
Insulator	PTFE	-
Nut,Washer	Brass	Gold Plated

NOTE:		Tolerance	0-6 ±0.10
			6-30 ±0.20
			30-120 ±0.30
			Angular ±2°
DRAWN	2017/3/6	View	
Zelin. Zhang		UNIT	MM
CHECKED		SCALE	1:1
APPROVALS	2017/3/6		
John Kine			



RENHOTEC GROUP

Name: SMB Bulkhead Male Jack for Cable RG316

SIZE	Product NO.	REV
A	RHT-626-0221	B
DateTime	CAD FILE	SHEET: 1 OF 1
2017/3/6	D/company drawings/BD	