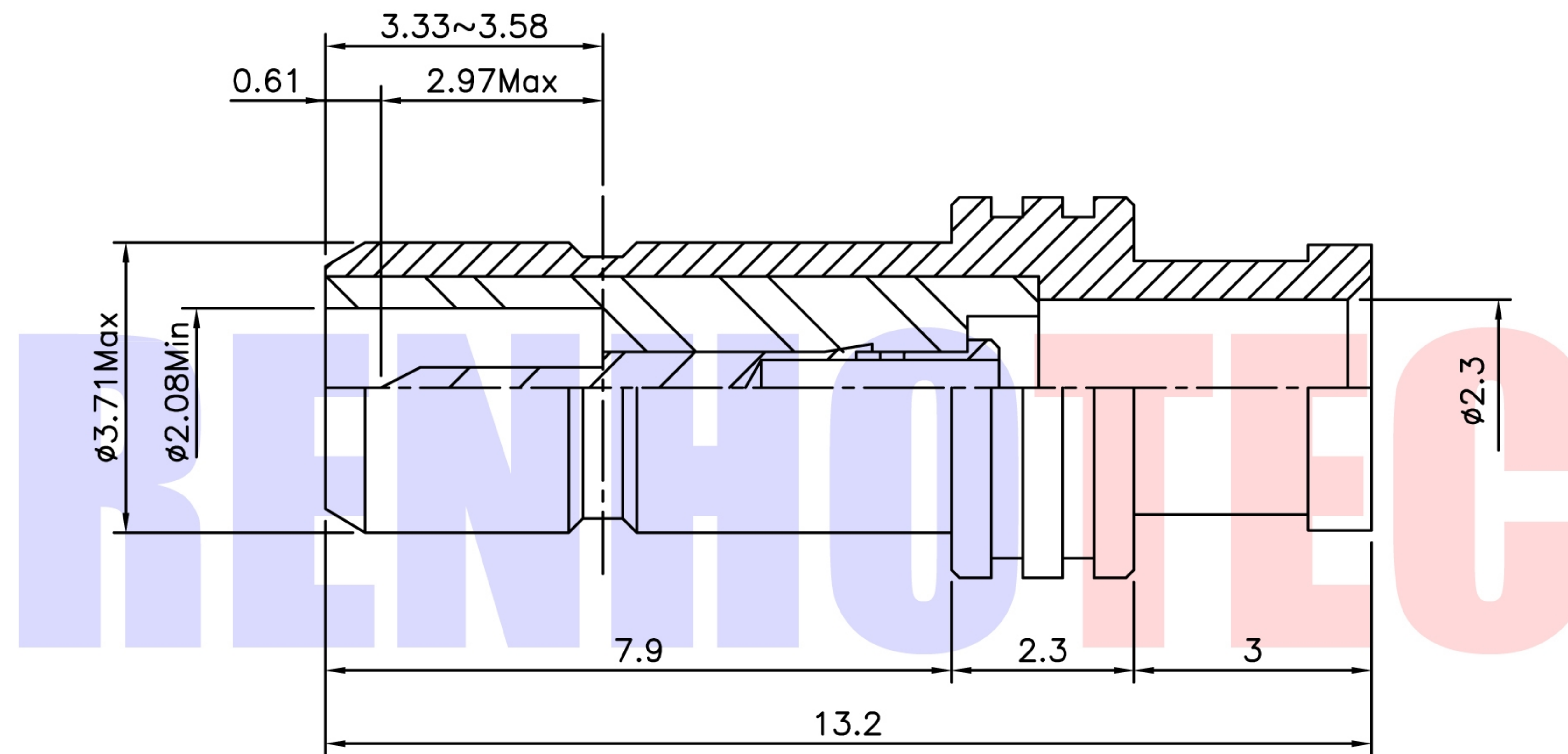




Product NO.	Renhotec-626-0209			
REV	DESCRIPTION	DWN	DATE	APPROVEN
A	First issue	Mr. Wang	2017/3/6	John kine



Connector parts	Materials	Finish
Body	Brass	Gold Plated
Center contact	Brass	Gold Plated
Insulator	TEFLON	-

NOTE:		Tolerance	0-6	± 0.10
DRAWN Zelin. Zhang			6-30	± 0.20
2017/3/6		View	30-120	± 0.30
CHECKED			Angular	$\pm 2^\circ$
APPROVALS <i>John Kine</i>		UNIT	MM	
2017/3/6		SCALE	1:1	



RENHOTECH GROUP

Name: SMB Straight Jack for Cable SF085

SIZE A	Product NO. RHT-626-0209	REV B
DateTime 2017/3/6	CAD FILE D/company drawings/BD	SHEET: 1 OF 1