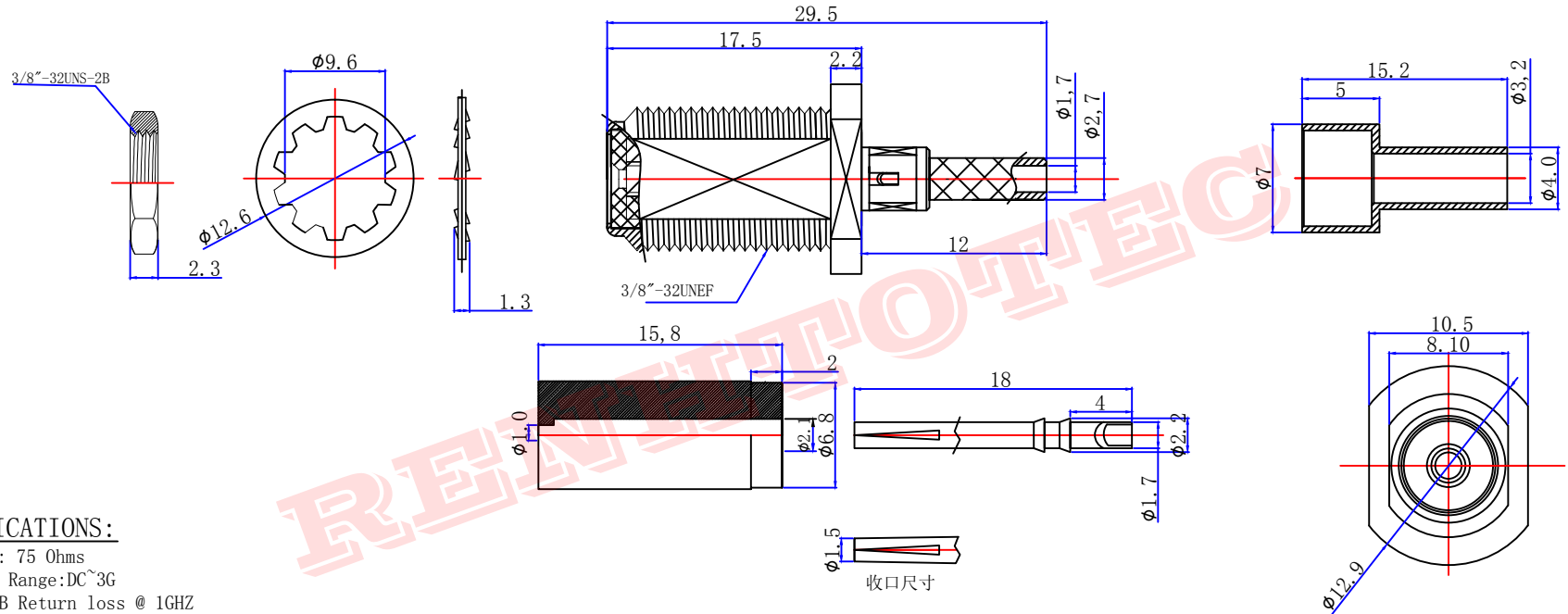




Product NO.	RHT-611-0340			
REV	DESCRIPTION	DWN	DATE	APPROVEN
A	First issue	Mr. CHEN	2016/11/12	John kine



**SPECIFICATIONS:**

Impedance: 75 Ohms  
 Frequency Range: DC~3G  
 VSWR: 30dB Return loss @ 1GHZ  
 Working Voltage: 15 watts continuous  
 Insulation Resistance: 5000 Ohms min  
 Temperature Range: -40°C TO +60°C  
 Drawings products are in line with ROHS standards

1	Body	BARSS	NI:80-120u"
2	Insulator	Pom	White
3	Center contact	Phosphor	AU:1-3u"
4	Washer	Iron	NI:80-120u"
5	Nut	Zinc	NI:80-120u"
6			
7			
8			
9			
10			
NO	Component Number	Material	Finish

NOTE:		Tolerance	0-6	±0.10
DRAWN	2016/11/12		6-30	±0.20
Zelin. CHEN		30-120	±0.30	
CHECKED		Angular	±2°	
APPROVALS	12/11.2016	UNIT	MM	
John		SCALE	1:1	

Name: F JACK FOR RG179 CABLE			
SIZE	Product NO.	REV	
A	RHT-611-0340	A	
DateTime	CAD FILE	SHEET: 1 OF 1	
2016/11/12	D/company drawings/BD		