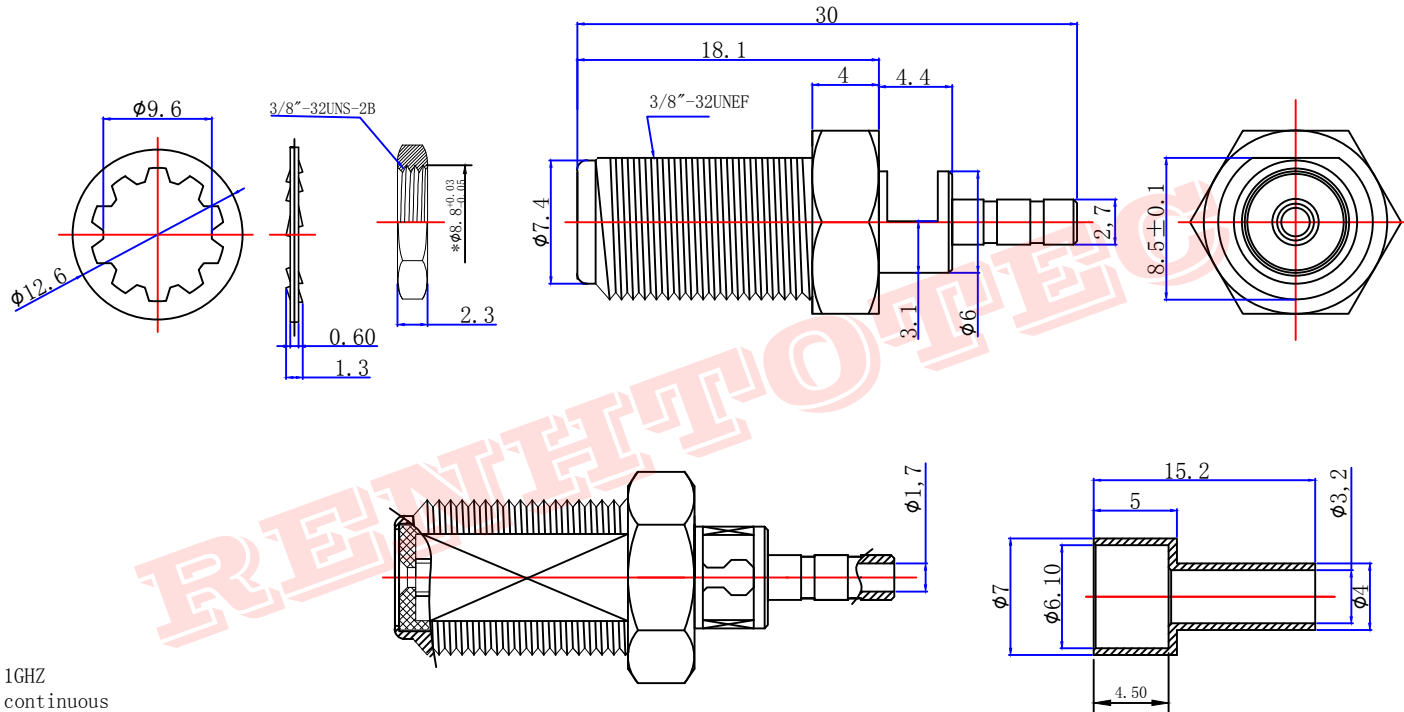




Product NO.	RHT-611-0339			
REV	DESCRIPTION	DWN	DATE	APPROVEN
A	First issue	Mr.CHEN	2016/11/12	John kine



SPECIFICATIONS:

Impedance: 75 Ohms
 Frequency Range:DC~3G
 VSWR:30dB Return loss @ 1GHZ
 Working Voltage:15 watts continuous
 Insulation Resistance:5000 Ohms min
 Temperature Range:-40°C TO +60°C
 Drawings products are in line with ROHS standards

1	Body	BARSS	NI:80-120u"
2	Insulator	Pom	White
3	Center contact	Phosphor	AU:1-3u"
4	Washer	Iron	NI:80-120u"
5	Nut	Zinc	NI:80-120u"
6			
7			
8			
9			
10			
NO	Component Number	Material	Finish

NOTE:	
DRAWN	2016/11/12
Zelin.CHEN	
CHECKED	
APPROVALS	12/11.2016
John	
Kine	

Tolerance	0-6 ±0.10 6-30 ±0.20 30-120 ±0.30 Angular ±2°
View	
UNIT	MM
SCALE	1:1
Name: F JACK FOR RG174 CABLE	
SIZE A	Product NO. RHT-611-0339
DateTime	CAD FILE
2016/11/12	D/company drawings/BD
SHEET: 1 OF 1	

