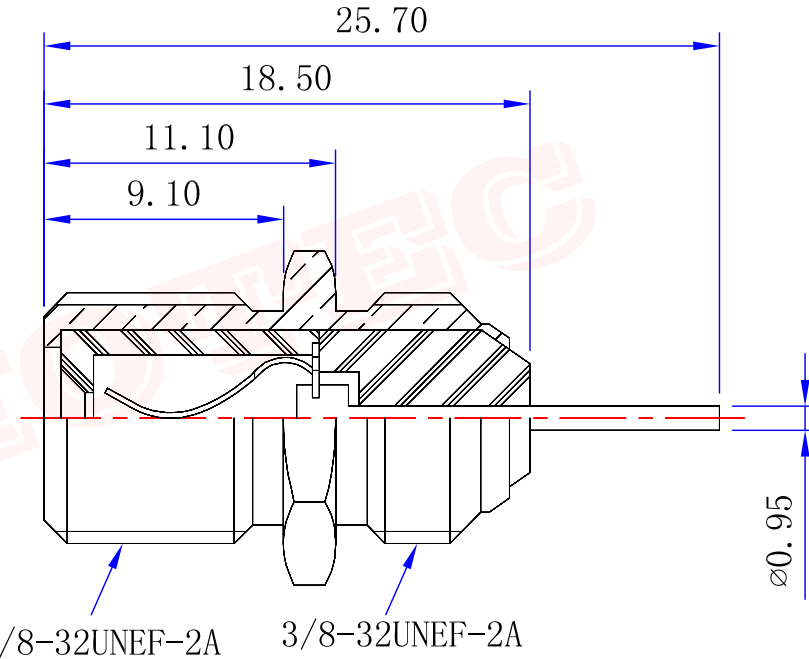
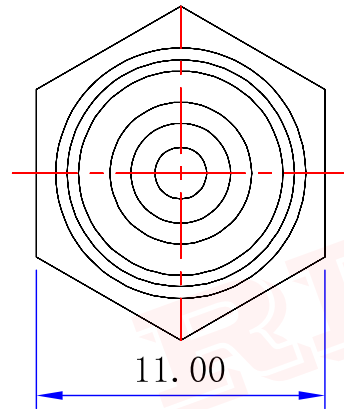
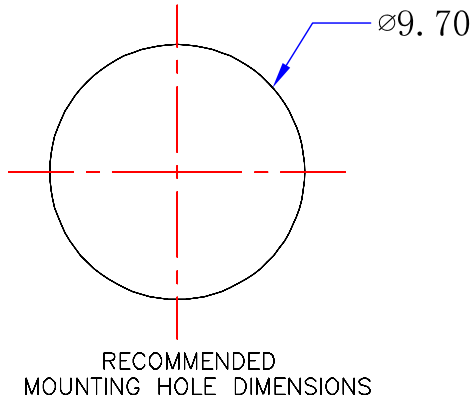




Product NO.		RHT-611-0337		
REV	DESCRIPTION	DWN	DATE	APPROVEN
A	First issue	Gavin	2018/06/27	JIM. KING



Specifications:  
 IMPEDANCE: 75 Ohms  
 Frequency range: 0~3GHZ  
 VSWR: 1.3MAX  
 Working voltage: 500V rms @ sea level  
 Insulation resistance: 5000 Ohms min  
 Temperature range: -55°C TO +155°C  
 Relative temperature: ≤95% (40° C ± 2° C)

5	GASKET	N. B. R	BLACK	1
4	INSULATORS	DELTRIN	NATURAL	1
3	CONTACT PIN	BRASS	BRIGHT TIN	1
2	INSULATORS	P. P	NATURAL	1
1	BODY	BRASS	NICKEL	1
NO	DESCRIPTION	MATERIAL	FINISH	QTY

-TOLERANCES- UNLESS OTHERWISE SPECIFIED  UNLESS OTHERWISE SPECIFIED TOLERANCES FOR MILLIMETERS ARE: 0.5 - 8mm ± 0.10mm 8 - 30mm ± 0.15mm 30 - 120mm ± 0.20mm	<b>RENHOTEC GROUP</b> <a href="http://www.renhotec.com">www.renhotec.com</a>		PART DESCRIPTION: F JACK CONNECTOR			
	Appd: JIM. KING Check: Draw: Gavin	P/N: RHT-611-0337 Date: 2018.06.27		Scale: Free	Unit: MM	Type: Z Page: 1/1