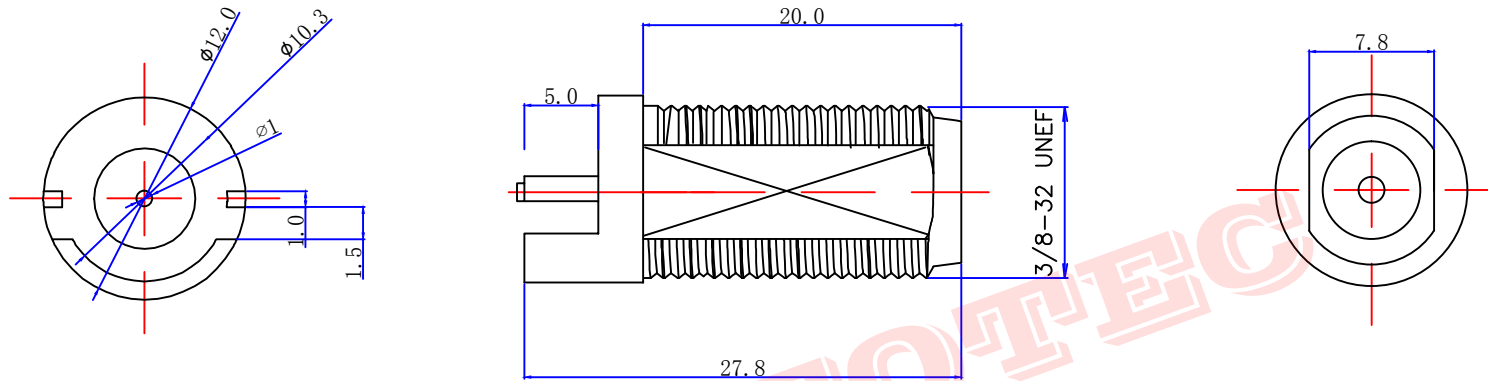


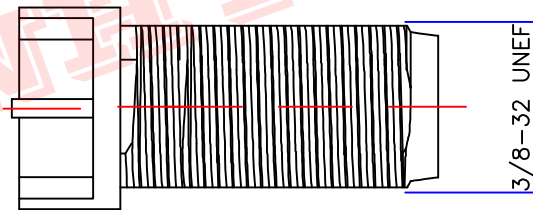




Product NO.	RHT-611-0336			
REV	DESCRIPTION	DWN	DATE	APPROVEN
A	First issue	Mr. CHEN	2016/11/12	John kine



SPECIFICATIONS:

Impedance: 75 Ohms
 Frequency Range: DC~3G
 VSWR: 30dB Return loss @ 1GHZ
 Working Voltage: 15 watts continuous
 Insulation Resistance: 5000 Ohms min
 Temperature Range: -40°C TO +60°C
 Drawings products are in line with ROHS standards



1	Body	BARSS	NI:80-120u"	NOTE:	Tolerance	0-6	±0.10	 RENHOTEC GROUP www.renhotec.com
2	Insulator	Pom	White			6-30	±0.20	
3	Center contact	Phosphor	AU:1-3u"			30-120	±0.30	
4					Angular	±2°		
5				DRAWN	2016/11/	View		Name: F jack connector
6				Zelin. CHEN	12			
7				CHECKED		UNIT	MM	SIZE
8								A
9								Product NO. RHT-611-0336
10				APPROVALS	12/11.2016	SCALE	1:1	DateTime
NO	Component Number	Material	Finish	John				2016/11/12
1				Kine				CAD FILE
2								D/company drawings/BD
3								SHEET: 1 OF 1
4								
5								
6								