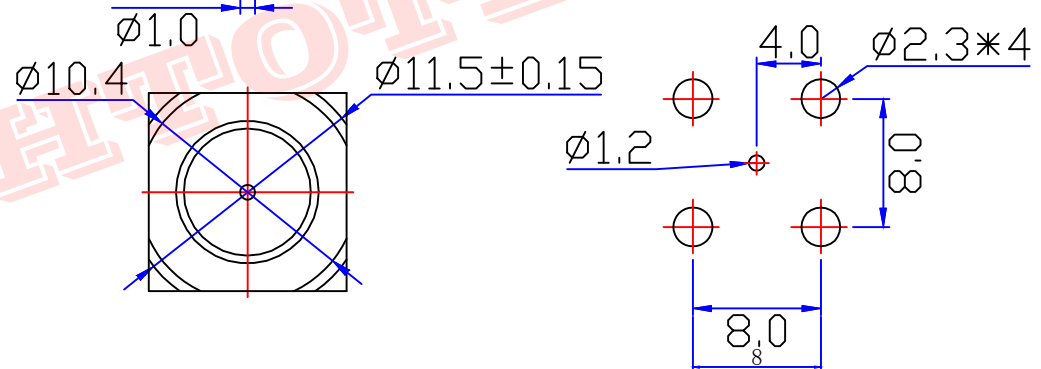
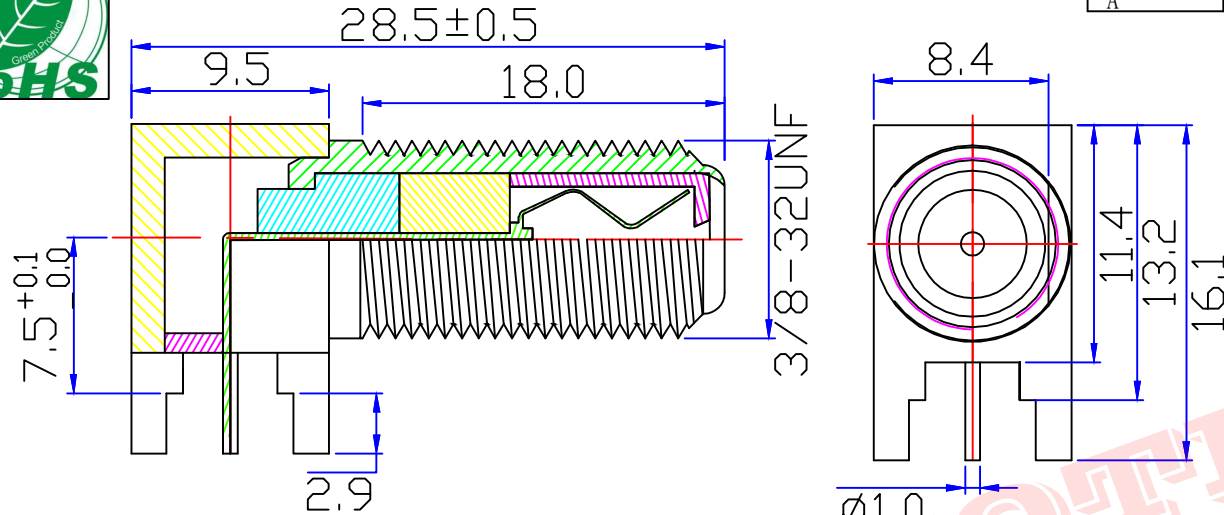




Product NO.	RHT-611-0334			
REV	DESCRIPTION	DWN	DATE	APPROVEN
A	First issue	Mr.CHEN	2016/11/12	John kine



SPECIFICATIONS:

Impedance: 75 Ohms
 Frequency Range: DC~3G
 VSWR: 30dB Return loss @ 1GHZ
 Working Voltage: 15 watts continuous
 Insulation Resistance: 5000 Ohms min
 Temperature Range: -40°C TO +60°C
 Drawings products are in line with ROHS standards

1	Body	BARSS	NI:80-120u"
2	Insulator	Pom	White
3	Center contact	Phosphor	AU:1-3u"
4			
5			
6			
7			
8			
9			
10			
NO	Component Number	Material	Finish

NOTE:		Tolerance	0-6	±0.10
			6-30	±0.20
		View	30-120	±0.30
			Angular	±2°
DRAWN		UNIT	MM	
Zelin.CHEN			2016/11/12	
CHECKED		SCALE	1:1	
John			12/11.2016	
APPROVALS		Kine		

RENHOTEC **RENHOTEC GROUP**
www.renhotec.com

Name: F Jack Right angle PCB Mount

SIZE	Product NO. RHT-611-0334	REV
A		A
DateTime	CAD FILE	SHEET: 1 OF 1
2016/11/12	D/company drawings/BD	

1

2

3

4

5

6