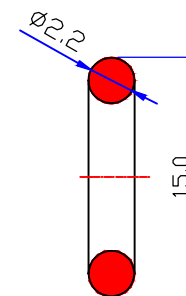
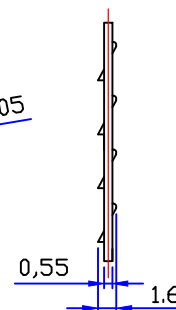
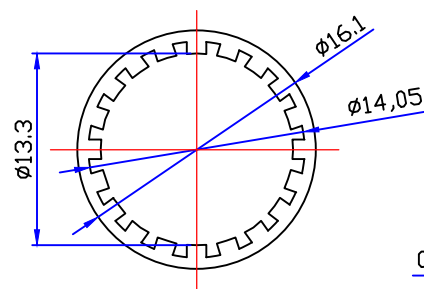
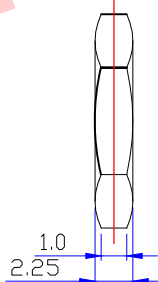
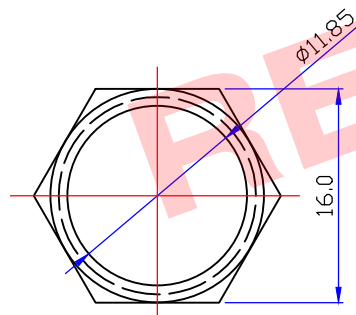
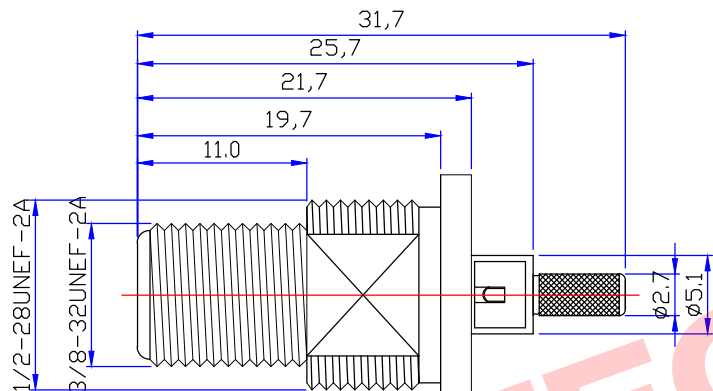
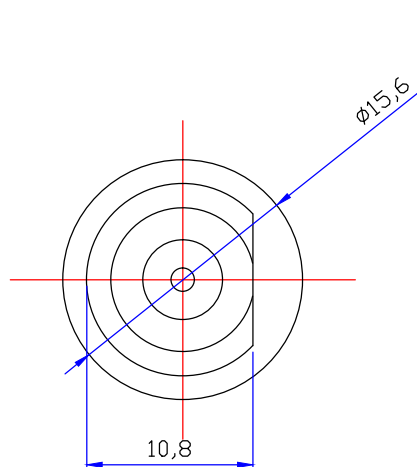




Product NO.		RHT-611-0327		
REV	DESCRIPTION	DWN	DATE	APPROVEN
A	First issue	Gavin	2017/12/11	JIM. KING



### Specifications

Impedance: 75 Ohms  
 Frequency Range: DC~3G  
 VSWR: 1.3MAX  
 Working Voltage: 500V rms @ sea level  
 Insulation Resistance: 5000 Ohms min  
 Temperature Range: -65°C TO +165°C  
 Relative Temperature: ≤95% (40° C ± 2° C)  
 Drawings products are in line with ROHS standards

NO	DESCRIPTION	MATERIAL	FINISH	QTY
6	CASKEF	RUBBER	RED	1
5	LOCK WASHER	BRASS	NICKEL	1
4	HEX NUT	BRASS	NICKEL	1
3	Insulator	TEFLON	White	1
2	PIN	BEASS	NICKEL	1
1	BODY	BRASS	NICKEL	1

-TOLERANCES- UNLESS OTHERWISE SPECIFIED		<b>RENHOTEC GROUP</b> <a href="http://www.renhotec.com">www.renhotec.com</a>			
UNLESS OTHERWISE SPECIFIED TOLERANCES FOR MILLIMETERS ARE: 0.5 - 8mm ± 0.20mm 8 - 30mm ± 0.40mm 30 - 120mm ± 0.50mm		PART DESCRIPTION: <b>F JACK FOR RG174 CABLE</b>		P/N: RHT-611-0327	
Appd: JIM. KING		Date	Scale	Unit	Type
Draw: Gavin		2017. 12. 11	Free	MM	Z
					Page
					1/1