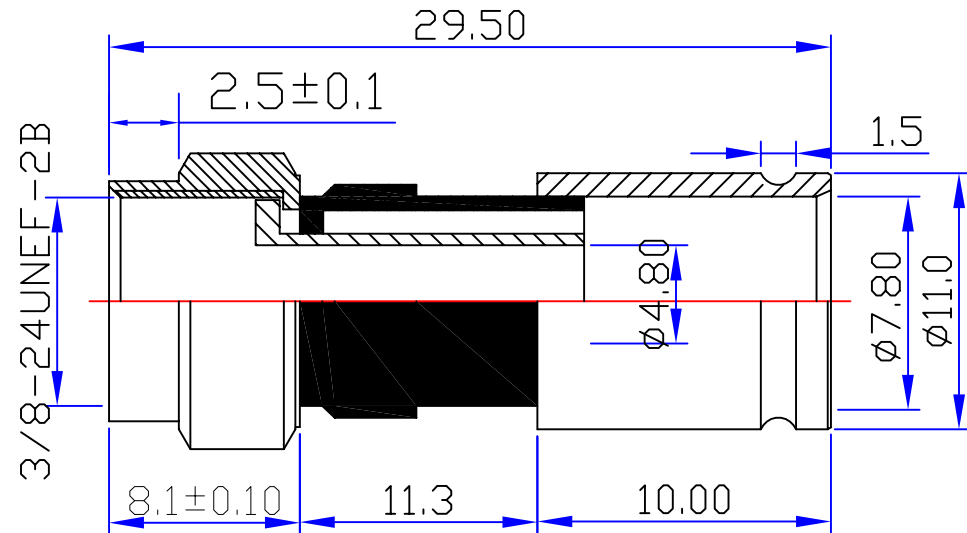
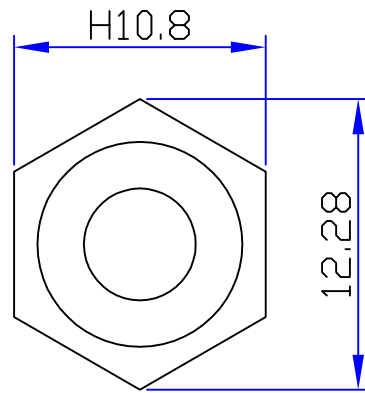





Product NO.		RHT-611-0302			
REV	DESCRIPTION	DWN	DATE	APPROVEN	
A	First issue	SAM	2016/06/25	JIM.KING	
B	Add detailed parameters	Gavin	2016/10/07	JIM.KING	



Specifications:

IMPEDANCE: 75 Ohms  
 Frequency range: 0~3GHZ  
 VSWR: 30db Return loss @ 1GHZ  
 Working voltage: 15 watts @ continuous  
 Insulation resistance: 5000 Ohms min  
 Temperature range: -40°C TO +125°C  
 Relative temperature: ≤95% (40°C±2°C)

1	Body	Brass	NICKEL
2	Insulation	ABS	BLACK
NO	Component Number	Material	Finish

-TOLERANCES- UNLESS OTHERWISE SPECIFIED		 <b>RENHOTECH GROUP</b>		Title: F MALE FOR RG6 CABLE				
				P/N: RHT-611-0302				
0. ±.15	0° ±.30°	Appd:		Date	Scale	Unit	Type	Page
0.0 ±.10	0.0° ±.25°	Check: <i>Xiong Tan</i>		2016.10.06	Free	MM	Z	1/1
0.00±.05	0.00° ±.20°	Draw.: <i>Dwen</i>						