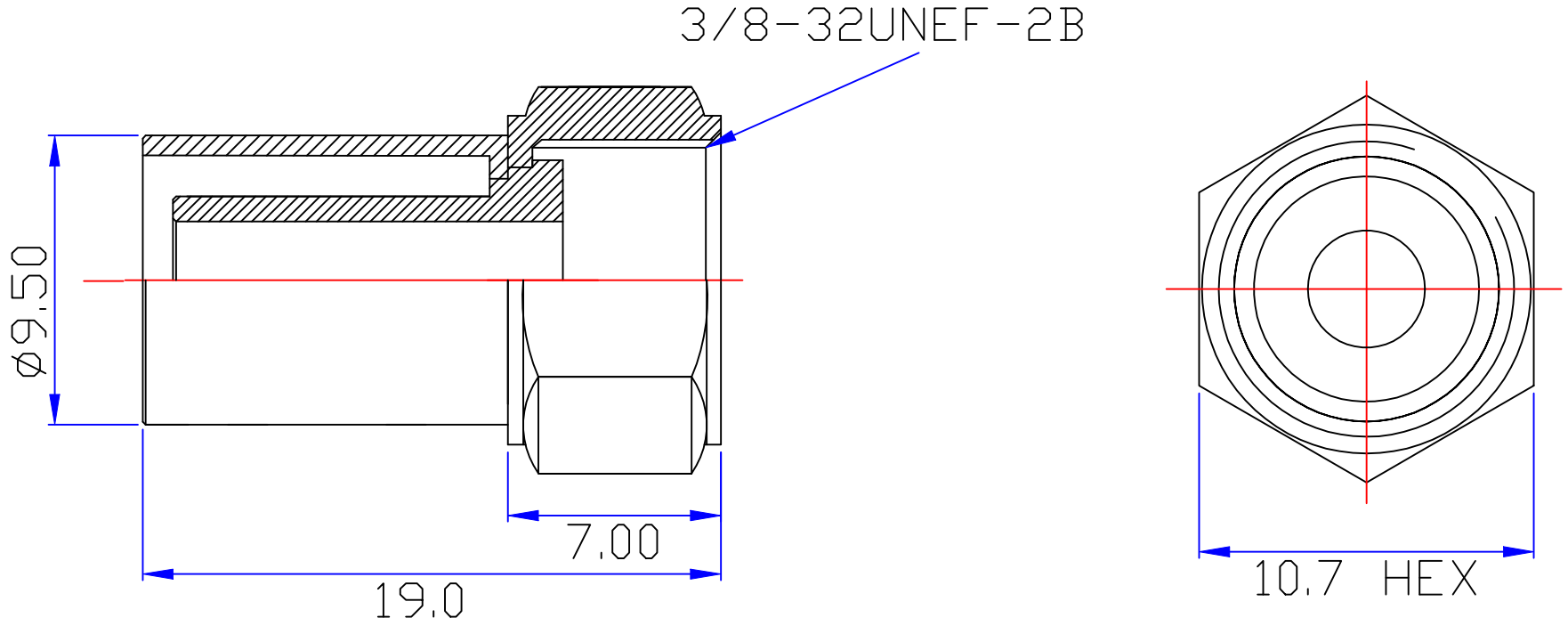




Product NO.	Renhotec-611-0047			
REV	DESCRIPTION	DWN	DATE	APPROVEN
A	First issue	Mr. chen	2016/3/21	John kine



NOTE:		Tolerance	0-6 ±0.10
DRAWN Zelin. Zhang 2016/03/21			6-30 ±0.20
CHECKED		View	30-120 ±0.30
APPROVALS John Kine 21/03.2016			Angular ±2°
UNIT		MM	DateTime 2016/3/21
SCALE		1:1	

RENHOTEC www.renhotec.com **RENHOTEC GROUP**

Name: F Plug Straight For RG/6		REV
SIZE A	Product NO. RENHOTEC-611-0047	B
CAD FILE	D/company drawings/BD	SHEET: 1 OF 1

3	Shell	Zinc	NI:80-120u"	
2	Body	Zinc	NI:80-120u"	
1				1
NO	DESCRIPTION	MATERIAL	FINISH	QTY