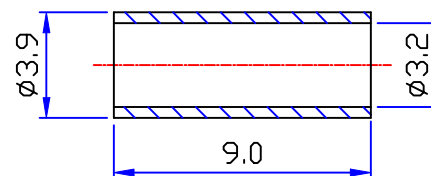
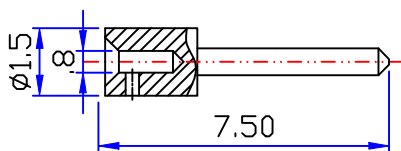
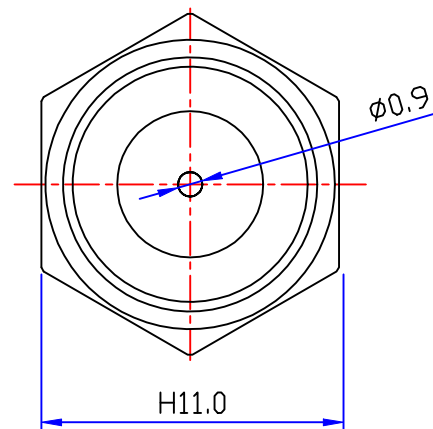
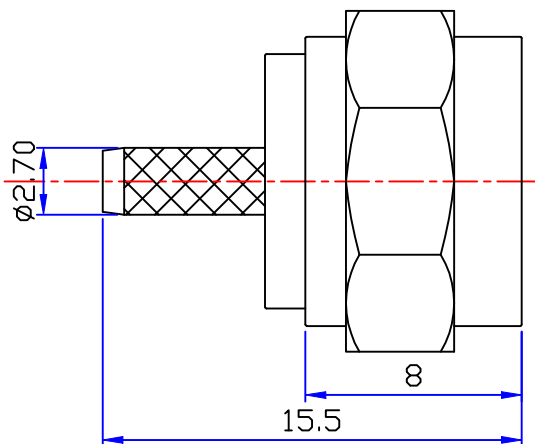




Product NO.	Renhotec-611-0040			
REV	DESCRIPTION	DWN	DATE	APPROVEN
A	First issue	Mr.chen	2016/3/20	John kine



SPECIFICATIONS:

Impedance: 75 Ohms

Frequency Range:DC~3G

VSWR:30dDB Return loss @ 1GHZ

Working Voltage:15 watts continuous

Insulation Resistance:5000 Ohms min

Temperature Range:-40°C TO +60°C

Drawings products are in line with ROHS standards

1	Shell	Brass	NI:80-120u"
2	Body	Brass	NI:80-120u"
3	Contact pin	Brass	NI:80-120u"
4	Insulation	Pom	None
5	Ferrule	Brass (C2680)	NI:80-120u"
6			
7			
8			
9			
10			
NO	Component Number	Material	Finish

NOTE:

DRAWN 2016/03/20
Zelin.Zhang

CHECKED

APPROVALS
John Kine 29.03.2016

Tolerance	0-6 ±0.10 6-30 ±0.20 30-120 ±0.30 Angular ±2°
View	
UNIT	MM
SCALE	1:1

RENHOTEC www.renhotec.com

RENHOTEC GROUP

Name: F Plug Stright For 3C2V

SIZE A	Product NO. RENHOTEC-611-0042	REV B
DateTime 2016/3/20	CAD FILE D/company drawings/BD	SHEET: 1 OF 1