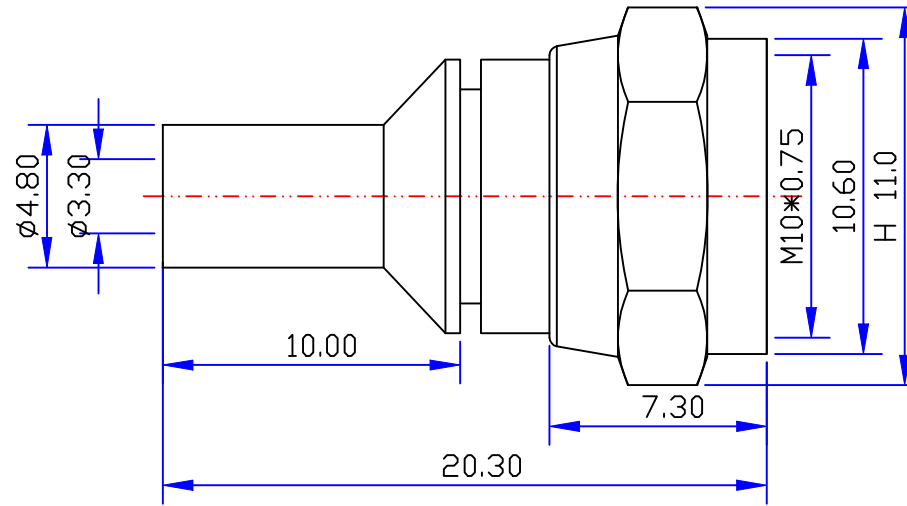
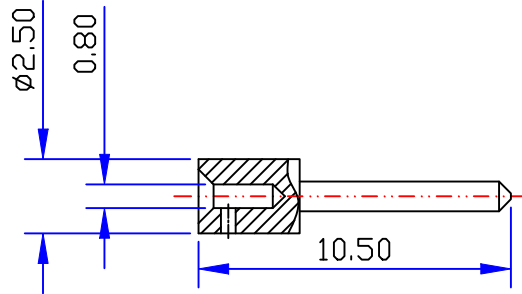




Product NO.	Renhotec-611-0039			
REV	DESCRIPTION	DWN	DATE	APPROVEN
A	First issue	Mr. chen	2016/3/18	John kine



**SPECIFICATIONS:**

Impedance: 75 Ohms  
 Frequency Range: DC~3G  
 VSWR: 30dB Return loss @ 1GHZ  
 Working Voltage: 15 watts continuous  
 Insulation Resistance: 5000 Ohms min  
 Temperature Range: -40°C TO +60°C  
 Drawings products are in line with ROHS standards

1	Shell	Brass	NI:80-120u"
2	Body	Brass	NI:80-120u"
3	Contact pin	Brass	NI:80-120u"
4	Insulation	Pom	None
5			
6			
7			
8			
9			
10			
NO	Component Number	Material	Finish

NOTE:

DRAWN Zelin.Zhang 2016/03/18

CHECKED

APPROVALS John Kine 19/03.2016

Tolerance	0-6 ±0.10 6-30 ±0.20 30-120 ±0.30 Angular ±2°
View	
UNIT	MM
SCALE	1:1



**RENHOTEC GROUP**

Name: F Plug Stright For 3C2V			
SIZE A	Product NO. RENHOTEC-611-0039	REV B	
DateTime 2016/3/18	CAD FILE D/company drawings/BD	SHEET: 1 OF 1	