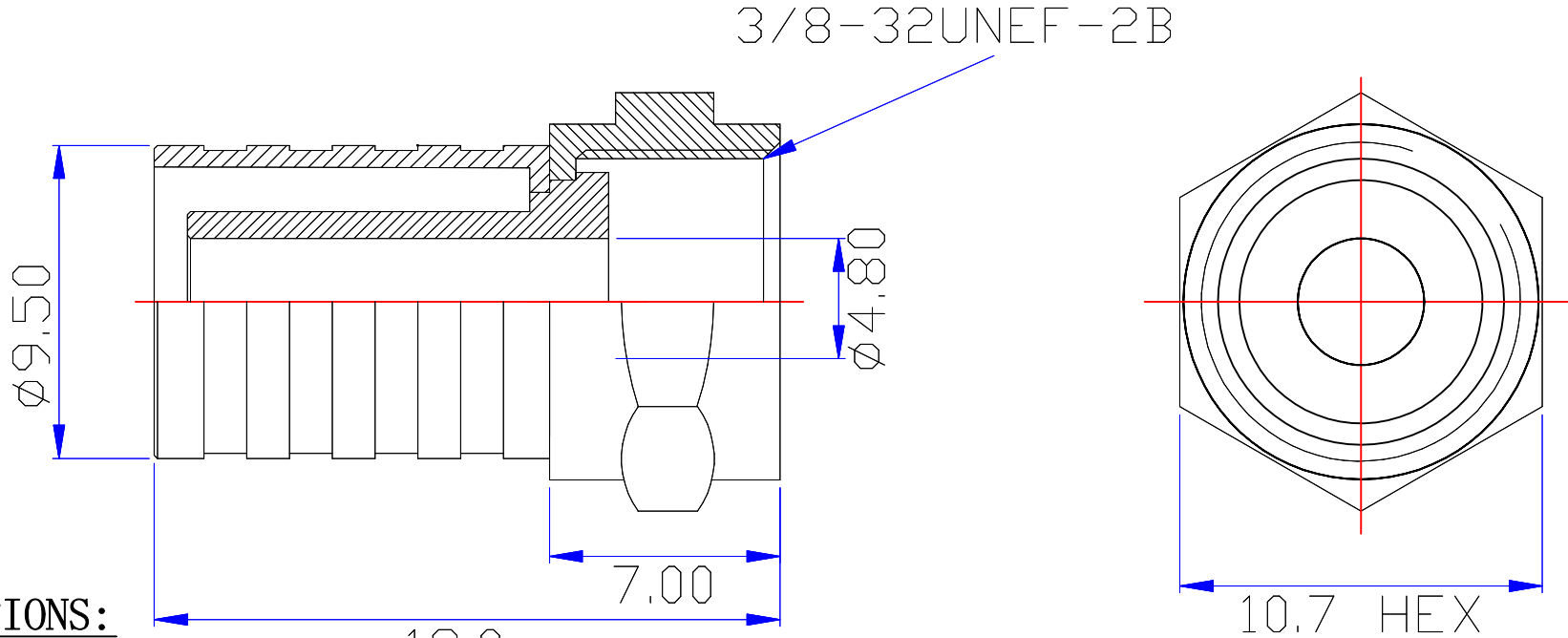




Product NO.	Renhotec-611-0033			
REV	DESCRIPTION	DWN	DATE	APPROVEN
A	First issue	Mr. chen	2016/3/17	John kine



SPECIFICATIONS:

Impedance: 75 Ohms
 Frequency Range: DC~3G
 VSWR: 30dB Return loss @ 1GHZ
 Working Voltage: 15 watts continuous
 Insulation Resistance: 5000 Ohms min
 Temperature Range: -40°C TO +60°C
 Drawings products are in line with ROHS standards

1	Shell	Zinc	NI:80-120u"	NOTE:	Tolerance	0-6 ±0.10 6-30 ±0.20 30-120 ±0.30 Angular ±2°	 www.renhotec.com			
2	Body	Zinc	NI:80-120u"							
3					View		Name: F PLUG STRIGHT FOR RG/6			
4					UNIT	MM	SIZE A	Product NO. RENHOTEC-611-0033	REV B	
5					APPROVALS	17/03.2016	DateTime	2016/3/17	CAD FILE	SHEET: 1 OF 1
6					John Kine			D/company drawings/BD		
7										
8										
9										
10	Component Number	Material	Finish	APPROVALS	SCALE	1:1	DateTime	2016/3/17	CAD FILE	SHEET: 1 OF 1
	1	2	3	3	4	5	6			