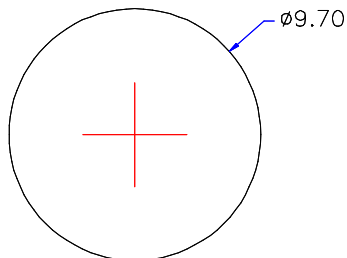
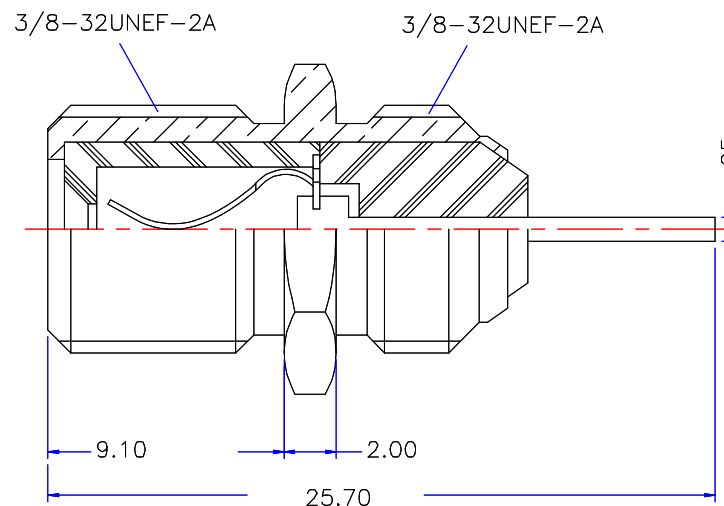
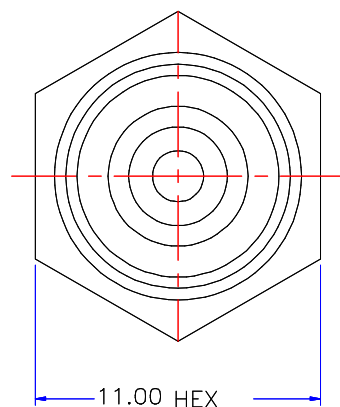




|             |                   |          |           |           |
|-------------|-------------------|----------|-----------|-----------|
| Product NO. | Renhotec-611-0024 |          |           |           |
| REV         | DESCRIPTION       | DWN      | DATE      | APPROVEN  |
| A           | First issue       | Mr. chen | 2016/3/17 | John kine |



RECOMMENDED MOUNTING HOLE DIMENSIONS



**SPECIFICATIONS:**

Impedance: 75 Ohms

Frequency Range: DC~3G

VSWR: 30dB Return loss @ 1GHZ

Working Voltage: 15 watts continuous

Insulation Resistance: 5000 Ohms min

Temperature Range: -40°C TO +60°C

Drawings products are in line with ROHS standards

|   |             |          |            |     |
|---|-------------|----------|------------|-----|
| 8 |             |          |            |     |
| 7 |             |          |            |     |
| 6 |             |          |            |     |
| 5 | GASKET      | N.B.R.   | BLACK      | 1   |
| 4 | INSULATOR   | DELIRIN  | NATURAL    | 1   |
| 3 | CONTACT PIN | BRASS    | BRIGHT TIN | 1   |
| 2 | INSULATOR   | P.P      | NATURAL    | 1   |
| 1 | BODY        | BRASS    | NICKEL     | 1   |
|   | DESCRIPTION | MATERIAL | FINISH     | QTY |

|              |            |
|--------------|------------|
| NOTE:        |            |
| DRAWN        | 2016/03/17 |
| Zelin. Zhang |            |
| CHECKED      |            |
| APPROVALS    | 17/03.2016 |
| John Kine    |            |

|           |  |
|-----------|--|
| Tolerance | 0-6 ±0.10<br>6-30 ±0.20<br>30-120 ±0.30<br>Angular ±2° |
| View      |  |
| UNIT      | MM   |
| SCALE     | 1:1  |

RENHOTEC GROUP

Name: F Jack CONNECTOR

|           |                               |               |
|-----------|-------------------------------|---------------|
| SIZE      | Product NO. RENHOTEC-611-0024 | REV           |
| A         |                               | B             |
| DateTime  | CAD FILE                      | SHEET: 1 OF 1 |
| 2016/3/17 | D/company drawings/BD         |               |