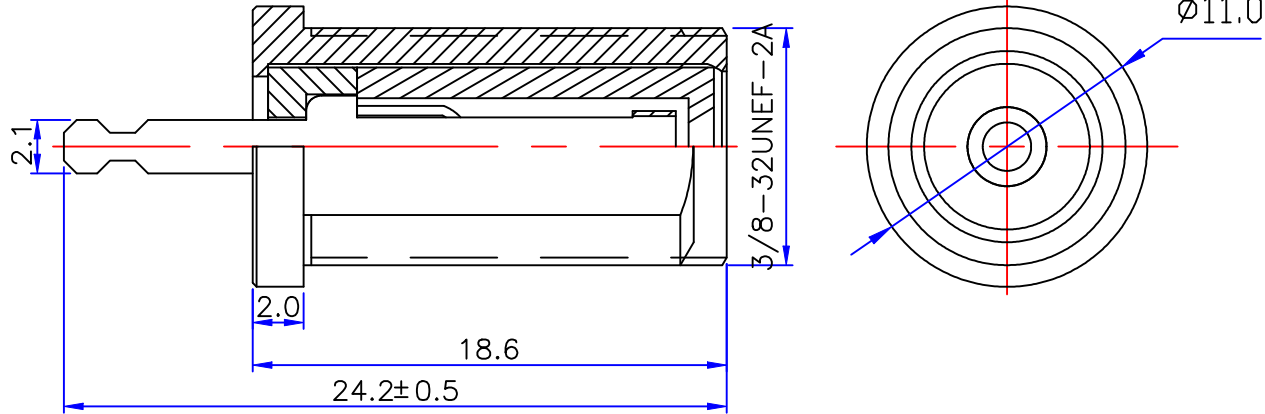




Product NO.	Renhotec-611-0019			
REV	DESCRIPTION	DWN	DATE	APPROVEN
A	First issue	Mr.chen	2016/3/15	John kine



SPECIFICATIONS:

Impedance: 75 Ohms
 Frequency Range:DC~3G
 VSWR:30dB Return loss @ 1GHZ
 Working Voltage:15 watts continuous
 Insulation Resistance:5000 Ohms min
 Temperature Range:-40°C TO +60°C
 Drawings products are in line with ROHS standards

1	Body	Brass	Au	NOTE:	Tolerance	0-6 ±0.10 6-30 ±0.20 30-120 ±0.30 Angular ±2°	 www.renhotec.com					
2	Insulator	PP	None									
3	Center contact	Phosphor	Au									
4												
5				DRAWN	2016/03/							
6				Zelin.Zhang	15							
7				CHECKED								
8												
9												
10				APPROVALS								
NO	Component Number	Material	Finish	<i>John Kine</i>	15/03.2016	SCALE	1:1	DateTime	2016/3/15	CAD FILE	D/company drawings/BD	SHEET: 1 OF 1

RENHOTEC **RENHOTEC GROUP**
www.renhotec.com

Name: F Jack Straight PCB Mount
 UNIT: MM
 SIZE A: Product NO. RENHOTEC-611-0019
 DATE: 2016/3/15
 SHEET: 1 OF 1