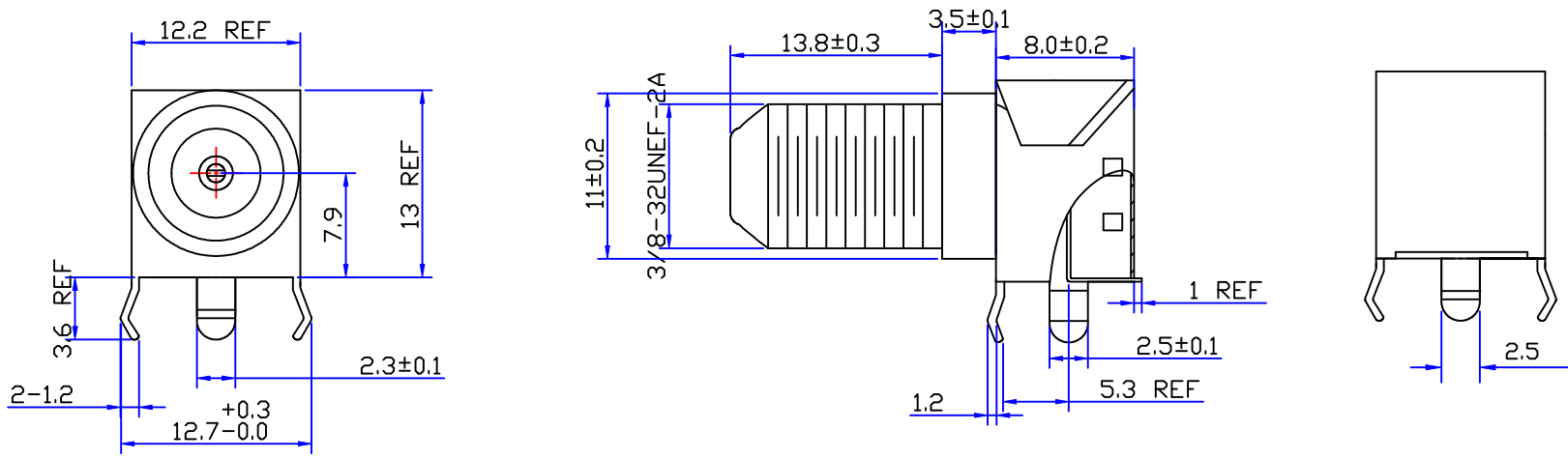


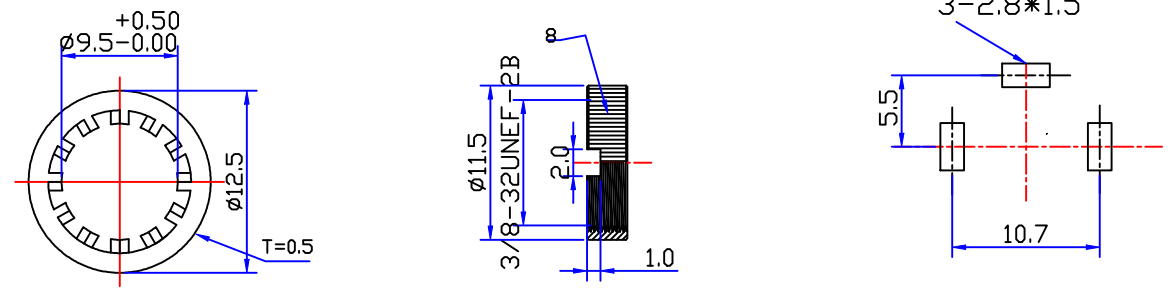


Product NO.	Renhotec-611-0008			
REV	DESCRIPTION	DWN	DATE	APPROVEN
A	First issue	Mr. CHEN	2016/3/12	John kine



**SPECIFICATIONS:**

Impedance: 75 Ohms  
 Frequency Range: DC~3G  
 VSWR: 30dB Return loss @ 1GHZ  
 Working Voltage: 15 watts continuous  
 Insulation Resistance: 5000 Ohms min  
 Temperature Range: -40°C TO +60°C  
 Drawings products are in line with ROHS standards



1	Body	Zinc	NI:80-120u"
2	Insulator	Pom	White
3	Center contact	Phosphor	Sn
4	Washer	Iron	NI:80-120u"
5	Nut	Zinc	Sn
6			
7			
8			
9			
10	Component Number	Material	Finish

NOTE:		Tolerance	0-6 ±0.10 6-30 ±0.20 30-120 ±0.30 Angular ±2°
DRAWN	2016/03/12	View	
Zelin. Zhang		UNIT	MM
CHECKED		SCALE	1:1
APPROVALS	12/03.2016		
John Kine			

Name: F Jack Right angle PCB Mount	
SIZE	Product NO. RENHOTEC-611-0008
Date	CAD FILE
Time	D/company drawings/BD
2016/3/12	SHEET: 1 OF 1