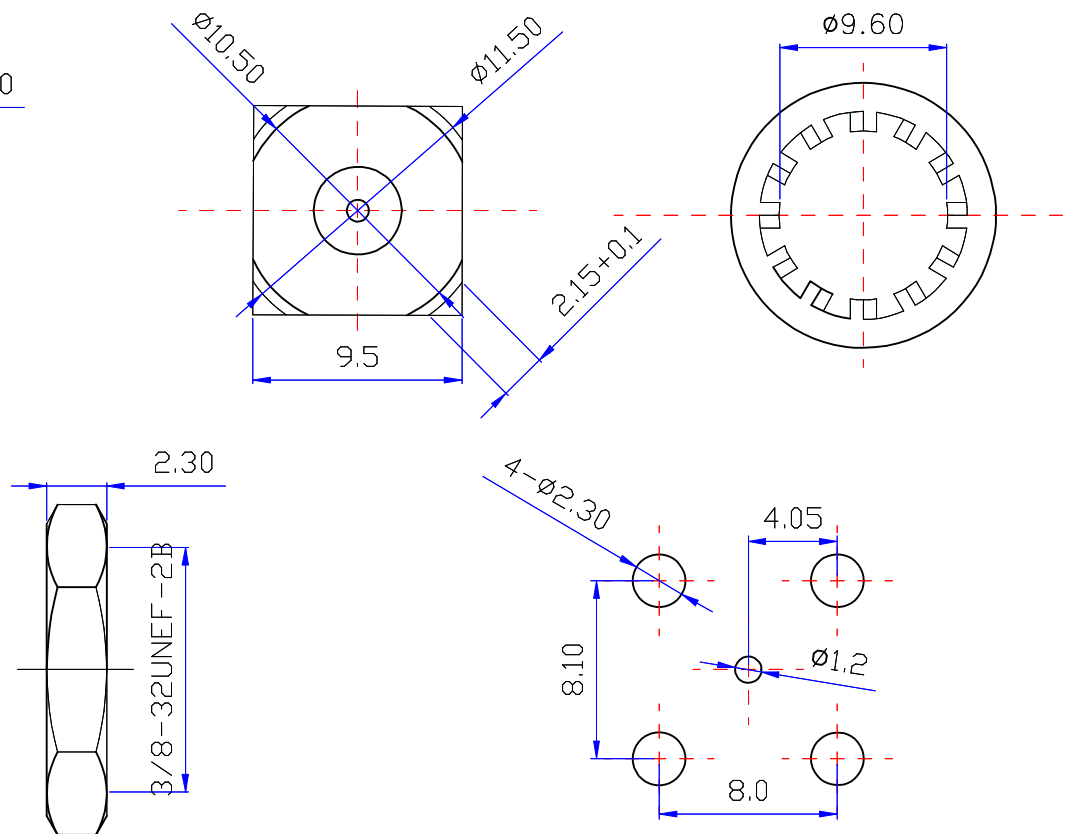
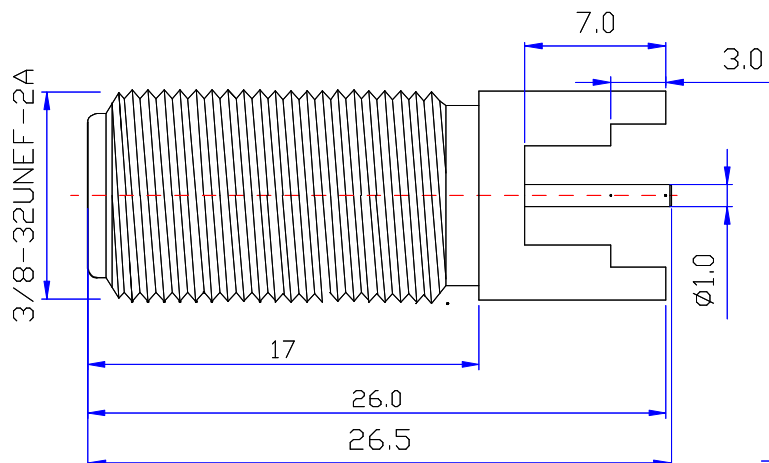




Product NO.	Renhotec-611-0006			
REV	DESCRIPTION	DWN	DATE	APPROVEN
A	First issue	Mr. CHEN	2016/3/12	John kine



SPECIFICATIONS:

Impedance: 75 Ohms

Frequency Range: DC~3G

VSWR: 30dB Return loss @ 1GHZ

Working Voltage: 15 watts continuous

Insulation Resistance: 5000 Ohms min

Temperature Range: -40°C TO +60°C

Drawings products are in line with ROHS standards

1	Body	BARSS	NI:80-120u"
2	Insulator	PP	White
3	Center contact	Phosphor	AU:1-3u"
4	Washer	Iron	NI:80-120u"
5	Nut	Zinc	NI:80-120u"
6			
7			
8			
9			
10			
NO	Component Number	Material	Finish

NOTE:	
DRAWN	2016/03/12
Zelin. Zhang	
CHECKED	
APPROVALS	12/03.2016
John Kine	

Tolerance	0-6 ±0.10 6-30 ±0.20 30-120 ±0.30 Angular ±2°
View	
UNIT	MM
SCALE	1:1

RENHOTEC GROUP

www.renhotec.com

Name: F Jack Right angle PCB Mount

SIZE	Product NO. RENHOTEC-611-0006	REV
A		B
DateTime	CAD FILE	SHEET: 1 OF 1
2016/3/12	D/company drawings/BD	