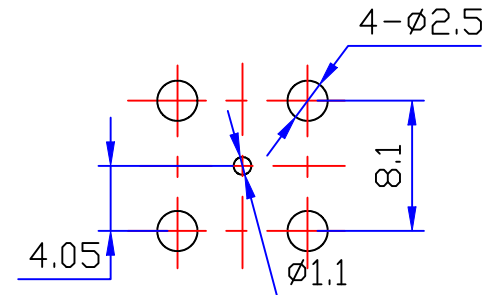
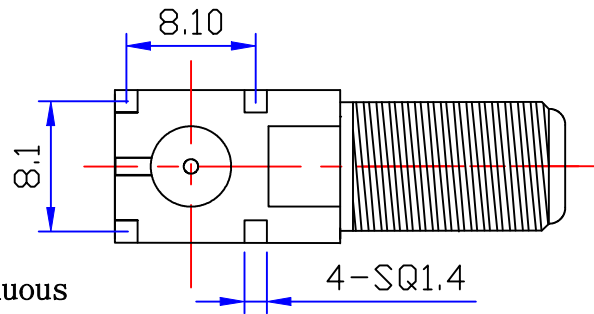
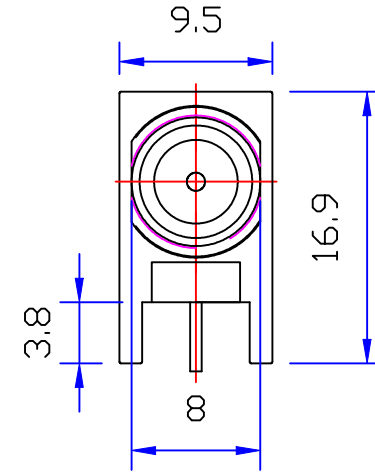
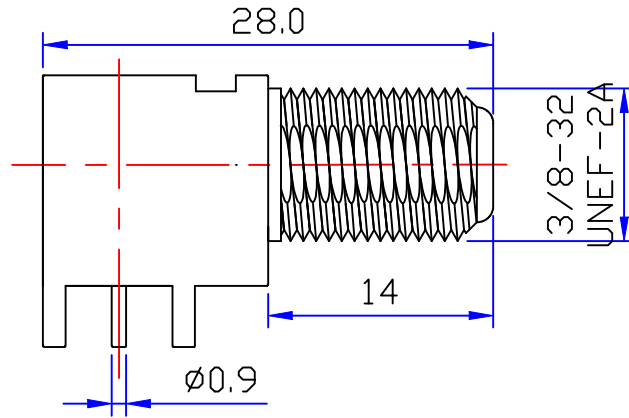




Product NO.	Renhotec-611-0004			
REV	DESCRIPTION	DWN	DATE	APPROVEN
A	First issue	Mr. CHEN	2016/3/12	John kine



**SPECIFICATIONS:**

Impedance: 75 Ohms  
 Frequency Range: DC~3G  
 VSWR: 30dB Return loss @ 1GHZ  
 Working Voltage: 15 watts continuous  
 Insulation Resistance: 5000 Ohms min  
 Temperature Range: -40°C TO +60°C  
 Drawings products are in line with ROHS standards

1	Body	brass	NI:80-120u"
2	Insulator	PP	White
3	Center contact	Phosphor	SN
4			
5			
6			
7			
8			
9			
10			
NO	Component Number	Material	Finish

NOTE:

DRAWN Zelin.Zhang 2016/03/12

CHECKED

APPROVALS John Kine 12/03.2016

Tolerance	0-6 ±0.10 6-30 ±0.20 30-120 ±0.30 Angular ±2°
View	
UNIT	MM
SCALE	1:1

**RENHOTEC** www.renhotec.com

**RENHOTEC GROUP**

Name: F Jack Right angle PCB Mount

SIZE A	Product NO. RENHOTEC-611-0004	REV B
DateTime 2016/3/12	CAD FILE D/company drawings/BD	SHEET: 1 OF 1