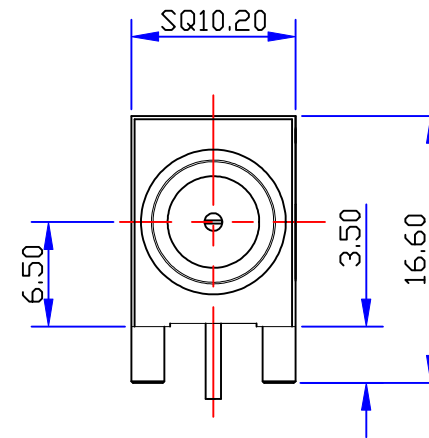
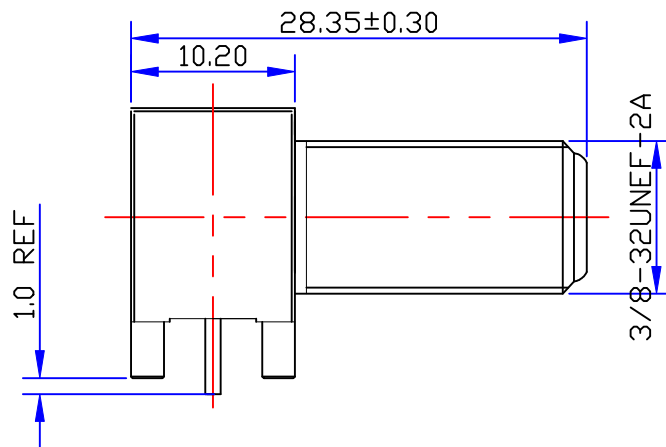


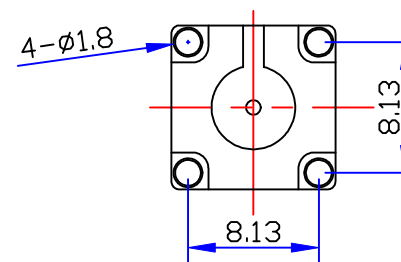
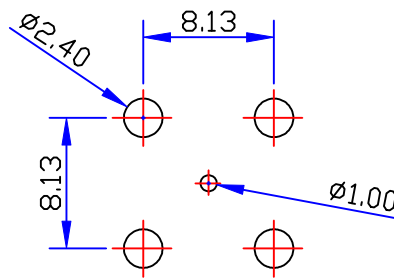


Product NO.	Renhotec-611-0002			
REV	DESCRIPTION	DWN	DATE	APPROVEN
A	First issue	Mr. CHEN	2016/3/12	John kine



**SPECIFICATIONS:**

Impedance: 75 Ohms  
 Frequency Range: DC~3G  
 VSWR: 30dB Return loss @ 1GHZ  
 Working Voltage: 15 watts continuous  
 Insulation Resistance: 5000 Ohms min  
 Temperature Range: -40°C TO +60°C  
 Drawings products are in line with ROHS standards



1	Body	NINC	NI:80-120u"	NOTE:	Tolerance	0-6	±0.10	 www.renhotec.com				
2	Insulator	PP	White			6-30	±0.20					
3	Center contact	Phosphor	SN			30-120	±0.30					
4						Angular	±2°					
5				DRAWN	2016/03/	View		Name: F Jack Right angle PCB Mount				
6				Zelin. Zhang	12							
7				CHECKED								
8				APPROVALS	UNIT	MM	SIZE	Product NO. RENHOTEC-611-0002	REV			
9												
10												
NO	Component Number	Material	Finish	John Kine	12/03.2016	SCALE	1:1	DateTime	2016/3/12	CAD FILE	D/company drawings/BD	SHEET: 1 OF 1