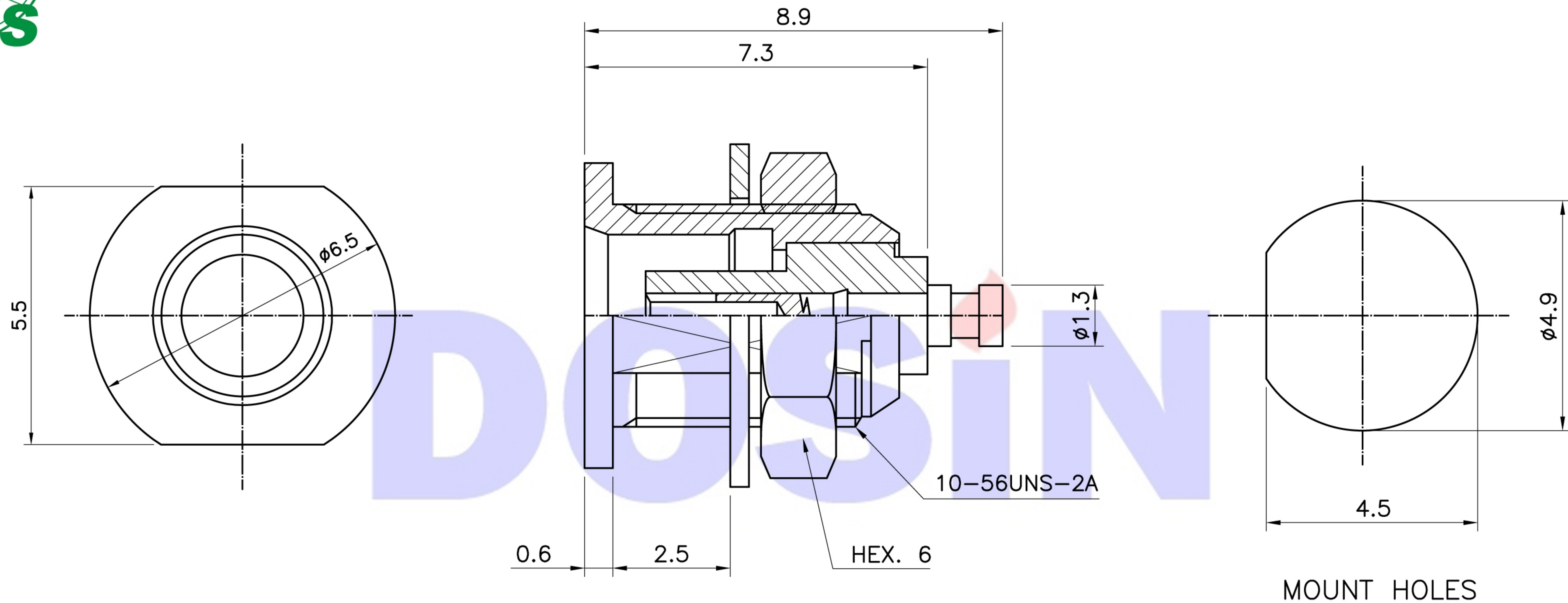




Product NO. DOSIN-809-1022

REV	DESCRIPTION	DWN	DATE	APPROVEN
A	First issue	JIM	2017. 3. 9	John kine



Item	Materials	Plating
Body	Brass	Gold Plated
Center contact	Be-Cu	Gold Plated
Insulator	PTFE	-
Nut,Washer	Brass	Gold Plated

NOTE:		Tolerance 0-6 ± 0.05 6-30 ± 0.10 30-120 ± 0.20 Angular $\pm 2^\circ$	Dosin Industrial(H.K)Co.Ltd 东莞市德索五金电子制品有限公司 Dosin Hardware Electronics Co.,Ltd E-mail:dosin2005@163.com dosin2005@dosin-china.com Web:http://www.dosinconn.com TEL:(0086)769-81153906 FAX:(0086)769-81875836
DRAWN Zelin. Zhang	2017. 3. 9		
CHECKED		View 	Name: MCX Bulkhead Jack- Receptacle
APPROVALS John		UNIT MM	SIZE A
		SCALE 1:1	Product NO. DOSIN-809-1022
			REV B
			DateTime 2017. 3. 9
			CAD FILE D/company drawings/BD
			SHEET: 1 OF 1