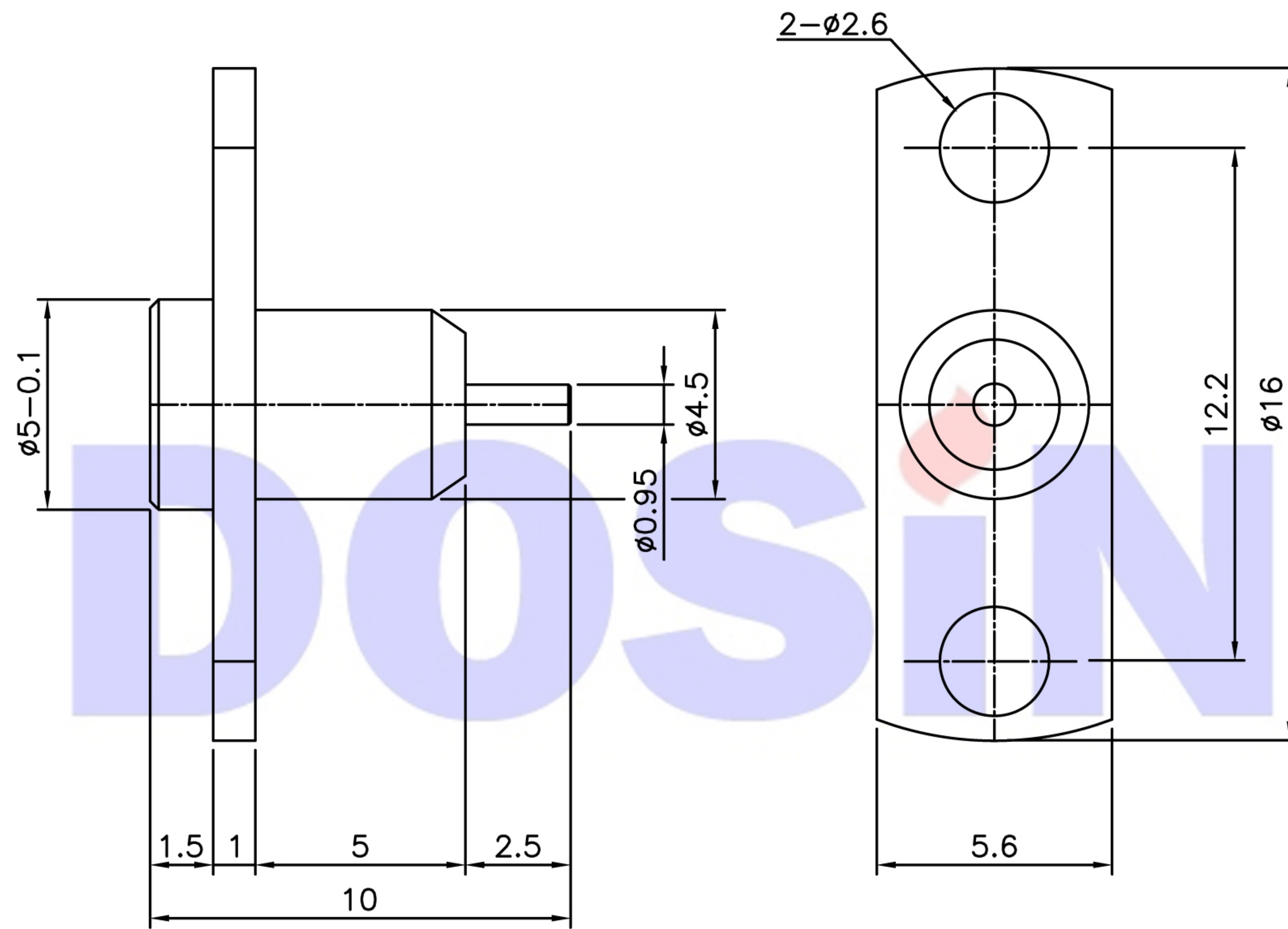




Product NO. DOSIN-809-1020

REV	DESCRIPTION	DWN	DATE	APPROVEN
A	First issue	JIM	2017. 3. 9	John kine



Item	Materials	Plating
Body	Brass	Gold Plated
Center contact	Be-Cu	Gold Plated
Insulator	PTFE	-

NOTE:		Tolerance	0-6	± 0.05
DRAWN Zelin. Zhang			6-30	± 0.10
2017. 3. 9			30-120	± 0.20
CHECKED			Angular	$\pm 2^\circ$
APPROVALS John		View		
		UNIT	MM	
		SCALE	1:1	



Dosin Industrial(H.K)Co.Ltd

东莞市德索五金电子制品有限公司

Dosin Hardware Electronics Co.,Ltd

E-mail:dosin2005@163.com

dosin2005@dosin-china.com

Web:http://www.dosinconn.com

TEL:(0086)769-81153906

FAX:(0086)769-81875836

Name: MCX 2 Hole Flange Mount Jack Receptacle

SIZE A	Product NO. DOSIN-809-1020	REV B
-----------	----------------------------	----------

DateTime 2017. 3. 9	CAD FILE D/company drawings/BD	SHEET: 1 OF 1
------------------------	-----------------------------------	---------------