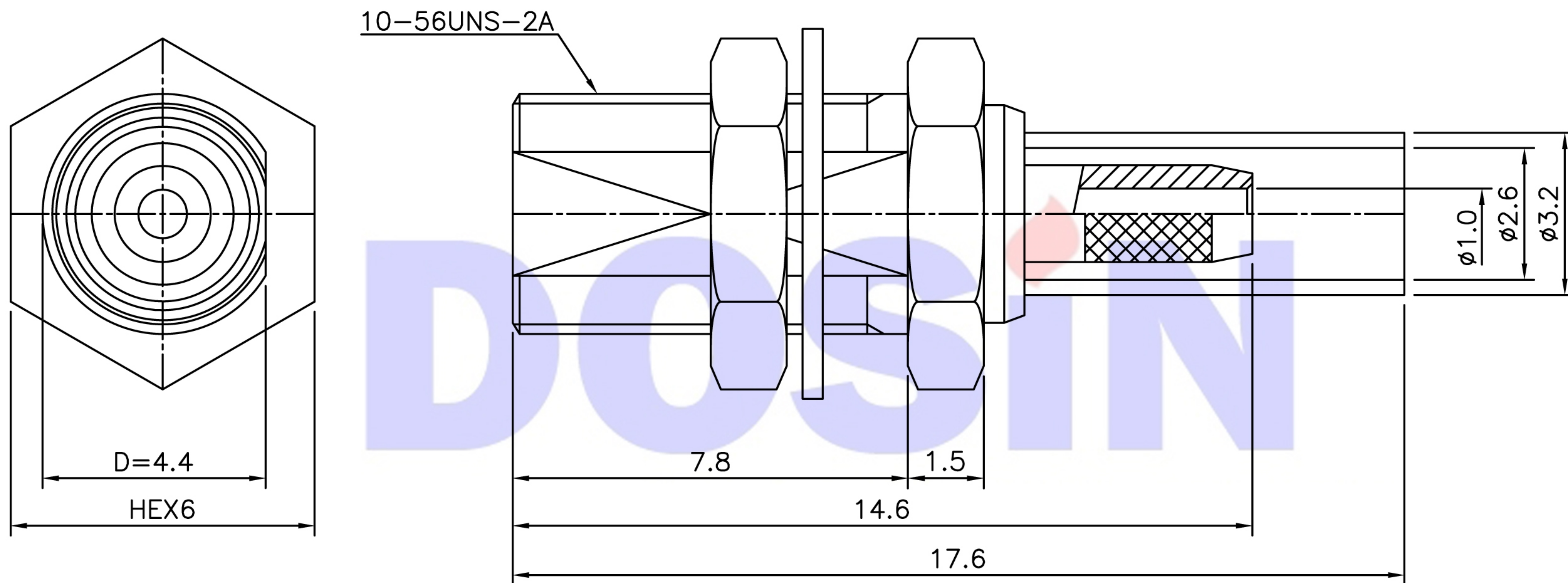




Product NO. DOSIN-809-1016

REV	DESCRIPTION	DWN	DATE	APPROVEN
A	First issue	JIM	2017. 3. 9	John kine



Item	Materials	Plating
Body,Nut,Washer	Brass	Gold Plated
Center contact	Be-Cu	Gold Plated
Insulator	PTFE	-

MCX BULKHEAD JACK
Rear Mount for Cable-RG178

NOTE:		Tolerance	0-6	±0.05	Dosin Industrial(H.K)Co.Ltd 东莞市德索五金电子制品有限公司 Dosin Hardware Electronics Co.,Ltd E-mail:dosin2005@163.com dosin2005@dosin-china.com Web:http://www.dosinconn.com TEL:(0086)769-81153906 FAX:(0086)769-81875836
DRAWN			6-30	±0.10	
Zelin. Zhang	2017. 3. 9	30-120	±0.20		
CHECKED		Angular	±2°		
APPROVALS		View			Name: Bulkhead MCX Jack for Cable RG178
John		UNIT	MM		SIZE A
SCALE		1:1	DateTime		Product NO. DOSIN-809-1016
			2017. 3. 9		REV B
			CAD FILE		
			D/company drawings/BD		SHEET: 1 OF 1