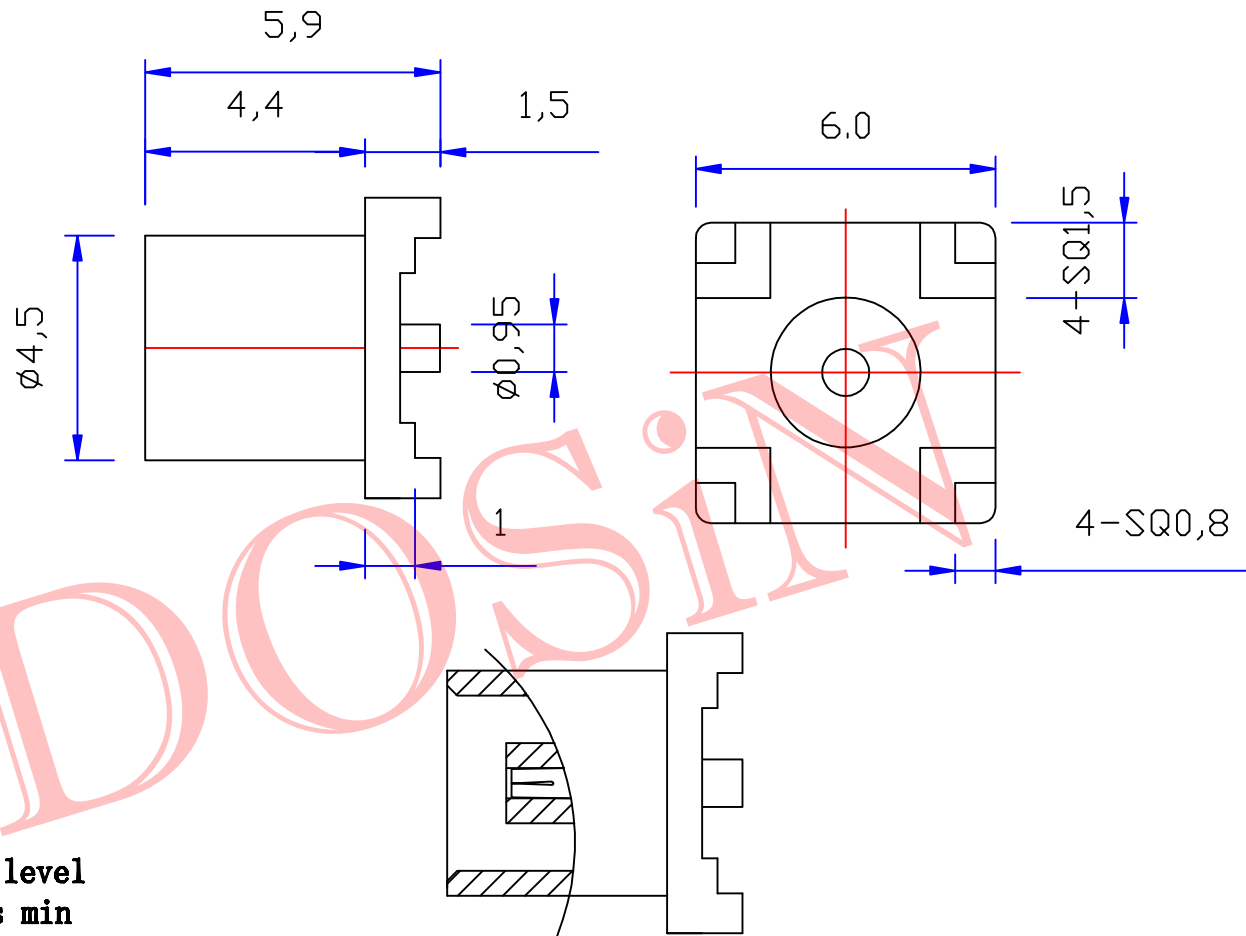




Product NO.		DOSIN-809-0009		
REV	DESCRIPTION	DWN	DATE	APPROVEN
A	First issue	Mr. Wang	2015/07/11	John kine
B				



Specifications:

IMPEDANCE: 50 Ohms
 Frequency range: 0~6GHZ
 VSWR: 1.5MAX
 Working voltage: 500V rms @ sea level
 Insulation resistance: 5000 Ohms min
 Temperature range: -55°C TO +155°C
 Relative temperature: ≤95% (40° C ± 2° C)

1	Body	Brass	Au: 1u"
2	Insulator	TEFLON	White
3	Center contact	Phosphor	Au: 3u"
4			
5			
6			
7			
8			
9			
10			
NO	Component Number	Material	Finish

NOTE:		Tolerance	X	±0.15
			X.X	±0.10
			X.XX	±0.05
			Angular	±5°
DRAWN		View		
Zelin. Zhang				
CHECKED		UNIT	MM	
APPROVALS		SCALE	1:1	
John Kine				

Dosin Industrial (HK) Co. Ltd 东莞市德索五金电子制品有限公司 Dosin Hardware Electronics Co., Ltd		E-mail: dosin2005@163.com dosin2005@dosin-china.com Web: http://www.dosinconn.com TEL: (0086) 769-81153906 FAX: (0086) 769-81875836	
Name: MCX JACK SMT			
SIZE A	Product NO.	REV A	
	DOSIN-809-0009		
DateTime	CAD FILE	SHEET: 1 OF 1	
2015/07/11	H/company drawings/BD		