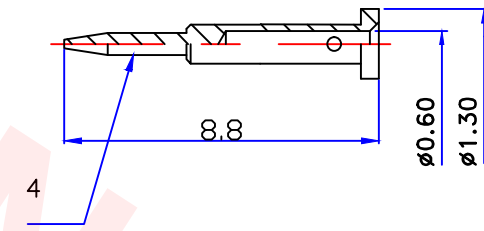
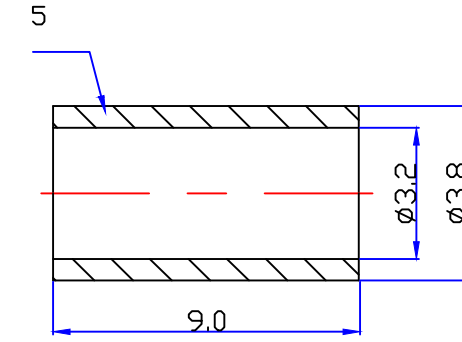
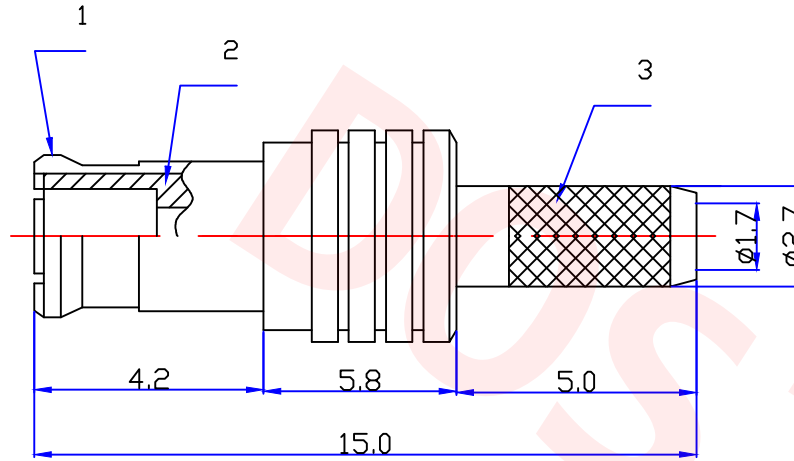




Product NO.		DOSIN-809-0005		
REV	DESCRIPTION	DWN	DATE	APPROVEN
A	First issue	Mr. chen	2015/07/24	John kine
B				



**Specifications:**

IMPEDANCE: 75 Ohms  
 Frequency range: 0~6GHZ  
 VSWR: 1.5MAX  
 Working voltage: 500V rms @ sea level  
 Insulation resistance: 5000 Ohms min  
 Temperature range: -55°C TO +155°C  
 Relative temperature: ≤95% (40° C ± 2° C)

NO	DESCRIPTION	MATERIAL	FINISH	QTY
5	FERRULE	BRASS	GOLD	1
4	CONTACT MALE	BRASS	GOLD	1
3	BODY	BRASS	GOLD	1
2	INSULATOR	TEFLON		1
1	BODY	BRASS	GOLD	1

NOTE:	
DRAWN	Zelin. Zhang
CHECKED	
APPROVALS	John

Tolerance	X. ±0.15 X.X ±0.10 X.XX ±0.05 Angular ±5°
View	
UNIT	MM
SCALE	1:1

**Dosin Industrial (H.K) Co. Ltd**  
 东莞市德索五金电子制品有限公司  
**Dosin Hardware Electronics Co., Ltd**

E-mail: dosin2005@163.com  
 dosin2005@dosin-china.com  
 Web: http://www.dosinconn.com  
 TEL: (0086) 769-81153906  
 FAX: (0086) 769-81875836

Name: MCX Plug FOR RG174

SIZE A	Product NO. DOSIN-809-0005	REV A
DateTime 2015/07/24	CAD FILE H/company drawings/BD	SHEET: 1 OF 1