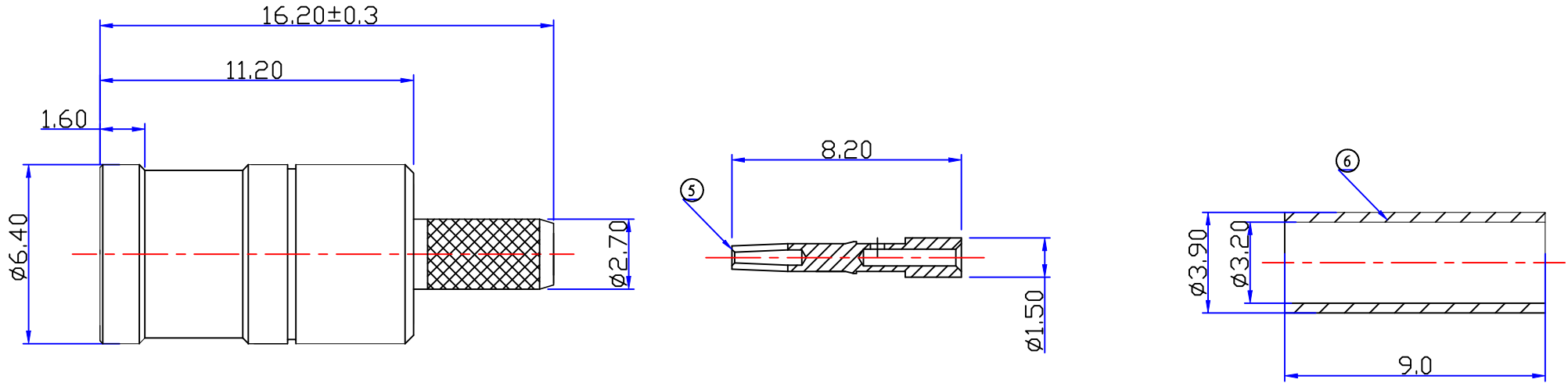




Customer NO:		DOSIN-807-0021		
REV	DESCRIPTION	DWN	DATE	APPROVEN
A	First issue	Mr. CHEN	2016/4/11	John kine
B				



8				
7				
6				
5				
4	FERRULE	BRASS	NICKEL	1
3	CONTACT PIN	BER. COPPER	GOLD	1
2	INSULATOR	TEFLON	WHITE	1
1	BODY	BRASS	GOLD	1
	DESCRIPTION	MATERIAL	FINISH	QTY

NOTE:

DRAWN  
Zelin. CHEN

CHECKED

APPROVALS  
*John Kine*

Tolerance	X. ±0.15 X.X ±0.10 X.XX ±0.05 Angular ±5°
View	
UNIT	MM
SCALE	1:1

**DOSIN** *Dosin Industrial (HK) Co. Ltd* E-mail: dosin2005@163.com  
 dosin2005@dosin-china.com  
 东莞市德索五金电子制品有限公司 Web: http://www.dosinconn.com  
 Dosin Hardware Electronics Co., Ltd TEL: (0086) 769-81153906  
 FAX: (0086) 769-81875836

Name: SMB PLUG FOR RG174

SIZE A Product NO. DOSIN-807-0021 REV A

DateTime 2016/4/11 CAD FILE H/company drawings/BD SHEET: 1 OF 1