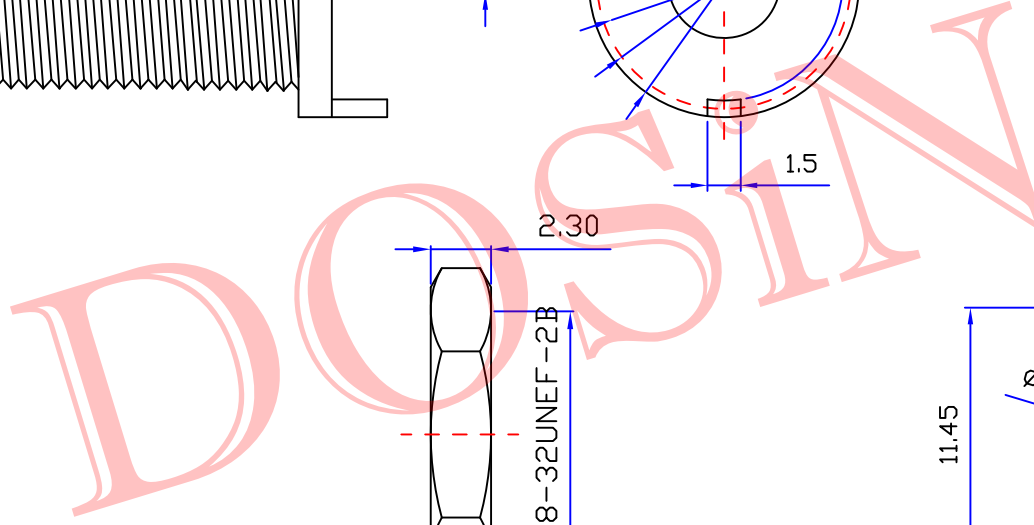
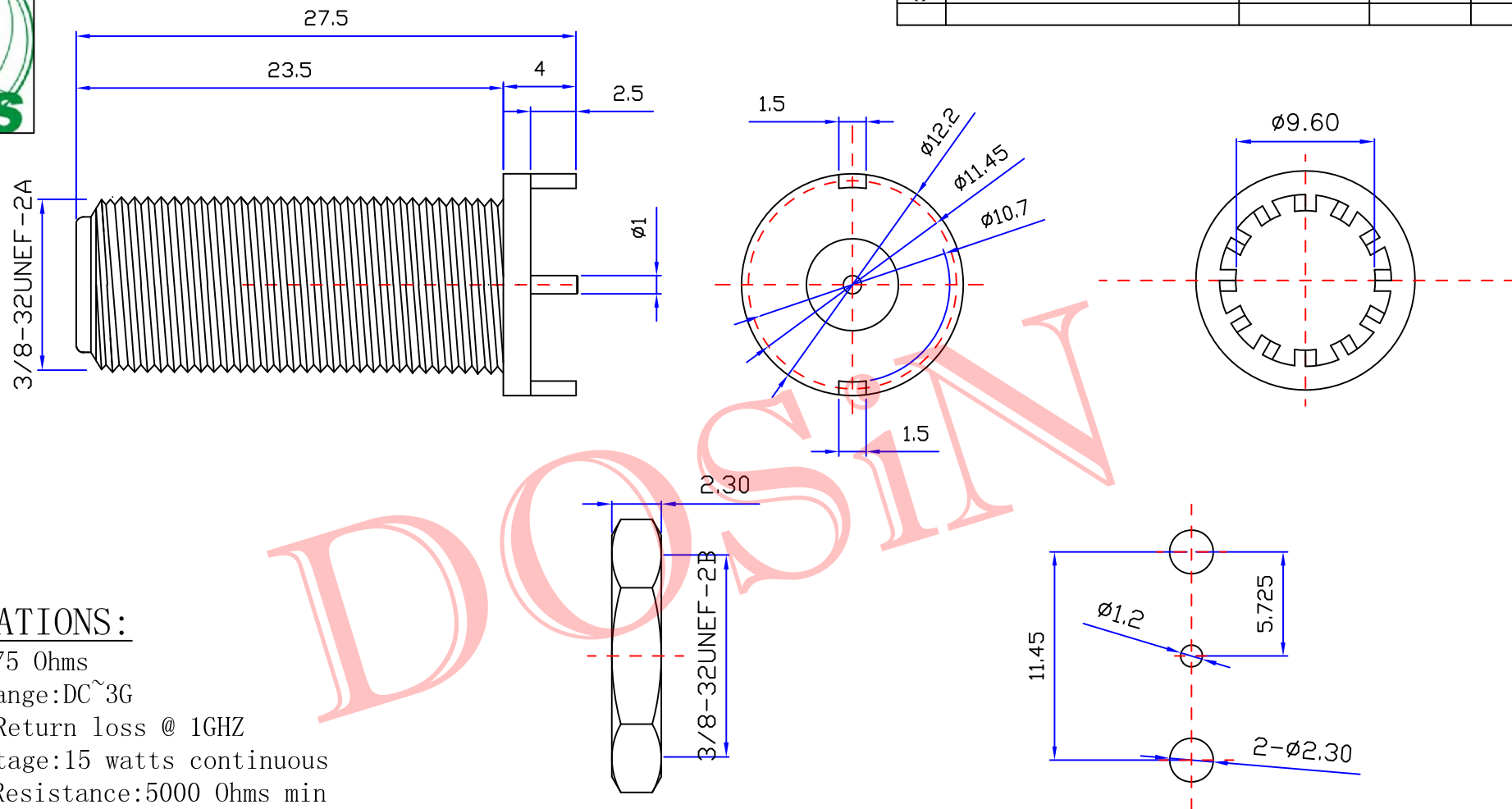




Product NO.		DOSIN-803-0121		
REV	DESCRIPTION	DWN	DATE	APPROVEN
A	First issue	Mr. Wang	2009/08/07	John kine



SPECIFICATIONS:

Impedance: 75 Ohms
 Frequency Range: DC~3G
 VSWR: 30dB Return loss @ 1GHZ
 Working Voltage: 15 watts continuous
 Insulation Resistance: 5000 Ohms min
 Temperature Range: -40°C TO +60°C
 Drawings products are in line with ROHS standards

1	Body	BARSS	GOLD: 1-1.5u"	NOTE:	Tolerance	X.	± 0.15	Dosin Industrial (H K) Co., Ltd 东莞市德索五金电子制品有限公司 Dosin Hardware Electronics Co., Ltd	E-mail: dosin2005@163.com
2	Insulator	PP	White			X.X	± 0.10		dosin2005@dosin-china.com
3	Center contact	Phosphor	TIN: 80-100u"			X.XX	± 0.05		Web: http://www.dosinconn.com
4	Washer	Iron	NI: 80-120u"			Angular	$\pm 5^\circ$		TEL: (0086) 769-81153906
5	Nut	Zinc	NI: 80-120u"						FAX: (0086) 769-81875836
6				DRAWN	2012/05/06	Name: F Jack straight PCB Mount			
7				Zelin. Zhang		SIZE	Product NO.	REV	
8				CHECKED		A	DOSIN-803-0121	A	
9						DateTime	CAD FILE		
10				APPROVALS		2012/05/06	H/company drawings/BD		
NO	Component Number	Material	Finish	John	06/05.2012	SCALE	1:1	SHEET: 1 OF 1	