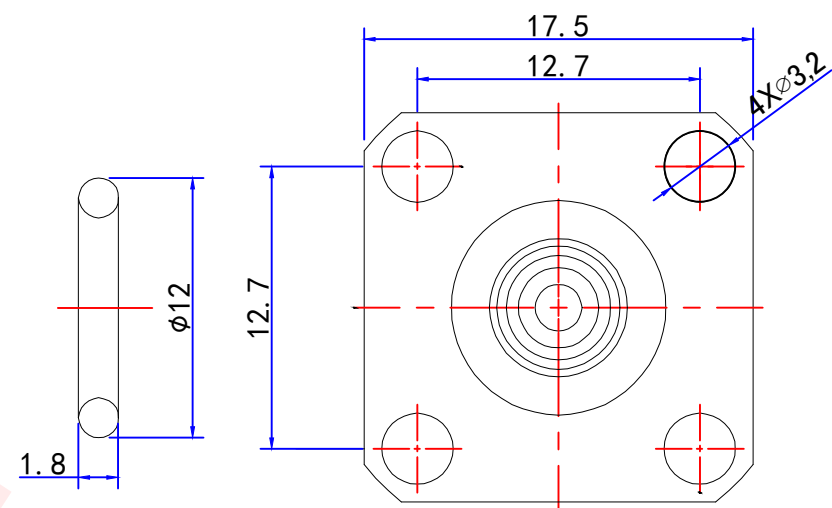
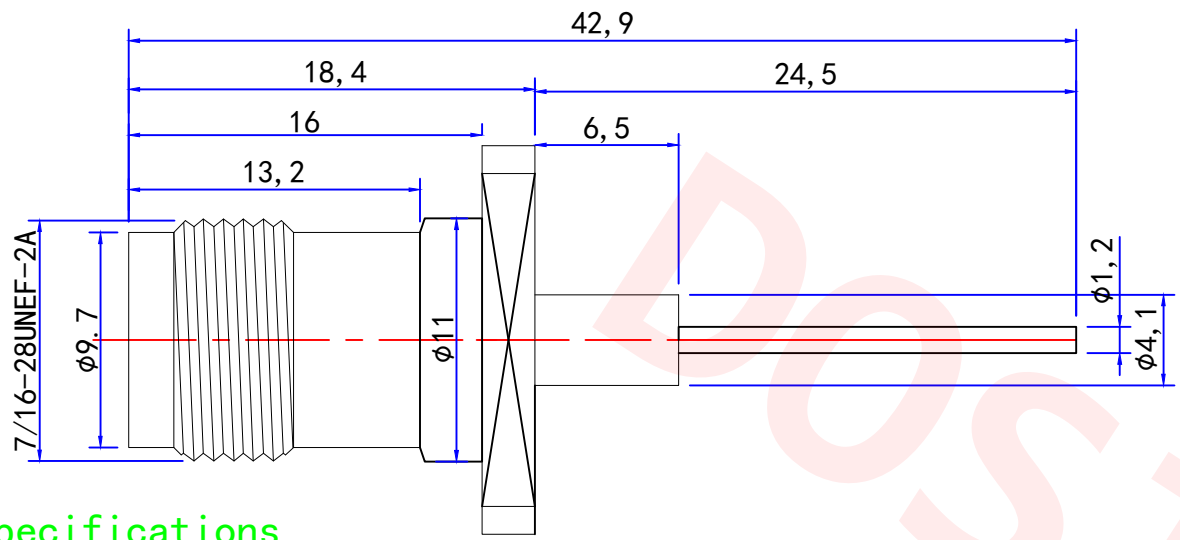




Product NO.		DOSIN-802-0060		
REV	DESCRIPTION	DWN	DATE	APPROVEN
A	First issue	Mr. CHEN	2017/09/10	John kine
B				



Specifications

- Impedance: 50 Ohms
- Frequency Range: DC~3G
- VSWR: 1.5MAX
- Working Voltage: 500V rms @ sea level
- Insulation Resistance: 5000 Ohms min
- Temperature Range: -65°C TO +165°C
- Relative Temperature: ≤95% (40° C ± 2° C)
- Drawings products are in line with ROHS standards

8				
7				
6				
5				
4	GASKET	SILICONE	RED	1
3	CONTACT PIN	PHOS. BRONZE	GOLD	1
2	INSULATOR	TEFLON	NATURAL	1
1	BODY	BRASS	NICKEL	1
	DESCRIPTION	MATFRIAI	FINISH	QTY

NOTE:		Tolerance	X. ±0.15 X.X ±0.10 X.XX ±0.05 Angular ±5°
DRAWN	Zelin. CHEN	View	
CHECKED		UNIT	MM
APPROVALS	John	SCALE	1:1

Dosin Industrial (H.K) Co. Ltd
 东莞市德索五金电子制品有限公司
Dosin Hardware Electronics Co., Ltd

E-mail: dosin2005@163.com
 dosin2005@dosin-china.com
 Web: http://www.dosinconn.com
 TEL: (0086) 769-81153906
 FAX: (0086) 769-81875836

Name: TNC PANEL JACK-EXTENDED TEFLON

SIZE	Product NO.	REV
A	DOSIN-802-0060	A

DateTime: 2017/12/06
 CAD FILE: H/company drawings/BD
 SHEET: 1 OF 1