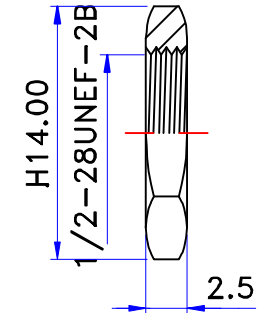
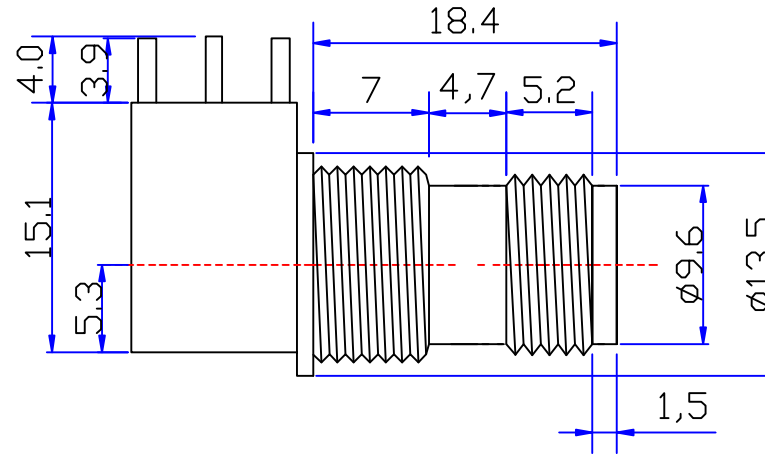
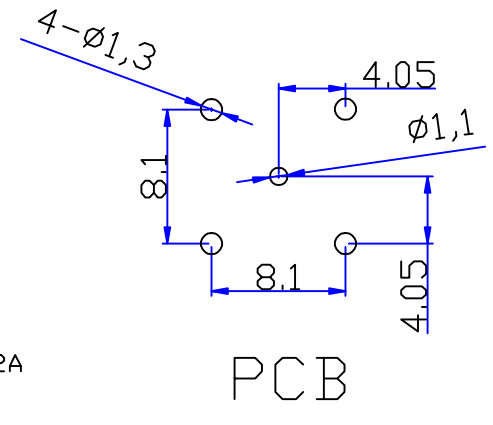
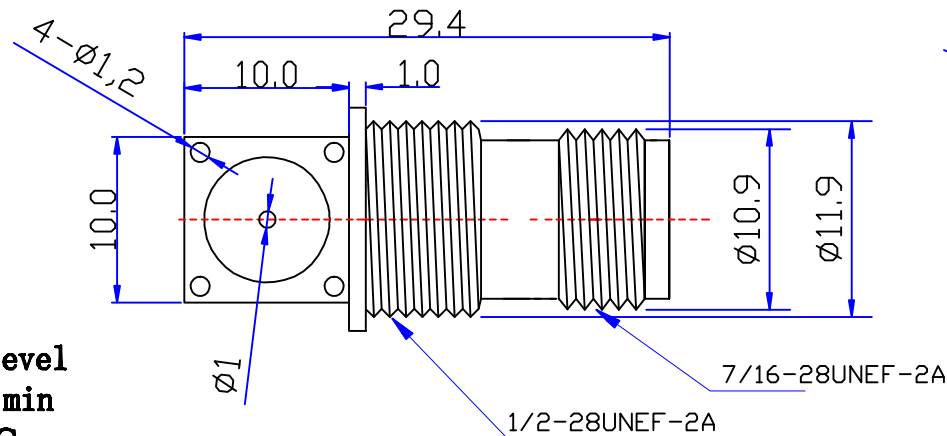


Product NO.		DOSIN-802-0010		
REV	DESCRIPTION	DWN	DATE	APPROVEN
A	First issue	Mr. Wang	2015/07/01	John kine
B				



Specifications:

IMPEDANCE: 50 Ohms
 Frequency range: 0~6GHZ
 VSWR: 1.3MAX
 Working voltage: 500V rms @ sea level
 Insulation resistance: 5000 Ohms min
 Temperature range: -55°C TO +155°C
 Relative temperature: ≤95%(40° C±2° C)



NOTE:

Tolerance

X ±0.15
 X.X ±0.10
 X.XX ±0.05
 Angular ±5°



Dosin Industrial (HK) Co Ltd

E-mail: dosin2005@163.com
 dosin2005@dosin-china.com
 Web: http://www.dosinconn.com
 TEL: (0086) 769-81153906
 FAX: (0086) 769-81875836

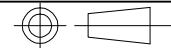
东莞市德索五金电子制品有限公司

Dosin Hardware Electronics Co, Ltd

Name: TNC CONNECTOR

DRAWN
Zelin. Zhang

View



CHECKED

UNIT

MM

APPROVALS
John Kine

SCALE

1:1

SIZE
A

Product NO.

DOSIN-802-0010

REV
A

DateTime
2015/07/01

CAD FILE
H/company drawings/BD

SHEET: 1 OF 1

E	GASKET	TE	NICKEL	1
D	NUT	BRASS	NICKEL	1
C	INSULATOR	TEFLON	NONE	1
B	CONTACT PLATING	BRASS	GOLD	1
A	BODY	BRASS	NICKEL	1
NO	DESCRIPTION	MATERIAL	FINISHED	QTY