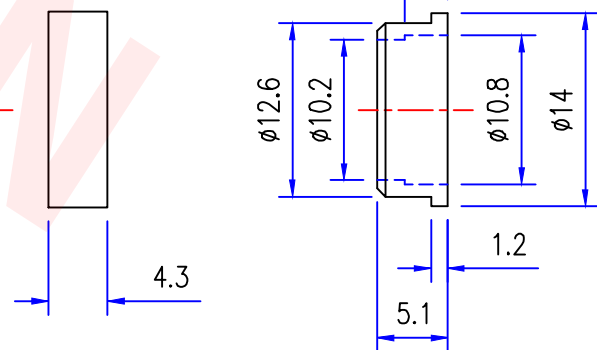
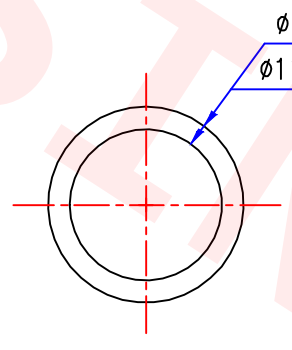
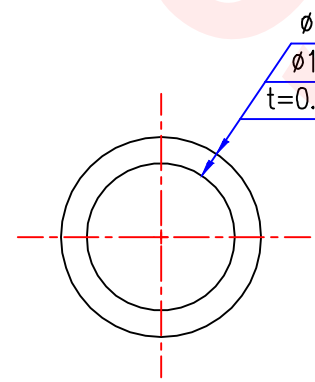
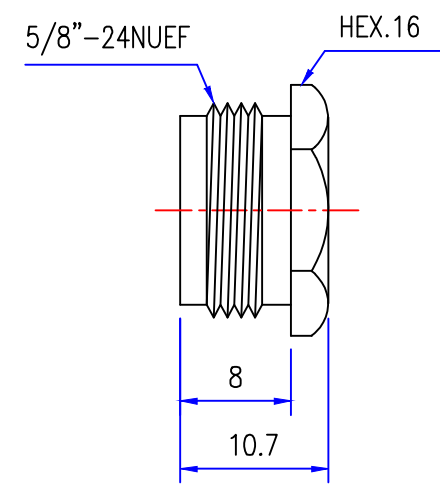
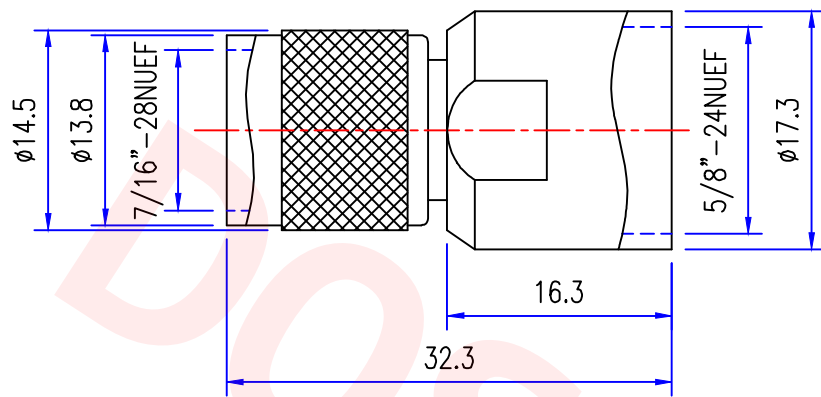
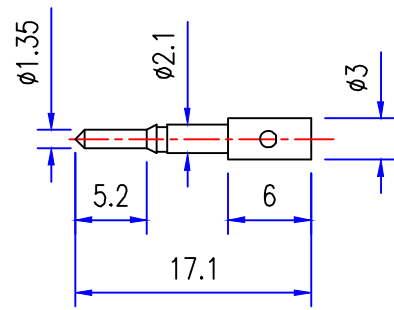




Product NO.		DOSIN-802-0006		
REV	DESCRIPTION	DWN	DATE	APPROVEN
	First issue	Mr. CHEN	2017/03/31	John kine



NO	DESCRIPTION	MATERIAL	FINISH	QTY
9	Braces	BRASS	NICKEL	1
8	Gasket	steel	Bright tin	1
7	Gasket	steel	Bright tin	1
6	Waterproof ring	Silicone	Red	1
5	Gasket	steel	Silver	1
4	Insulator	TEFLON		1
3	PIN	BRASS	GOLD	1
2	Insulator	TEFLON		1
1	BODY	BRASS	NICKEL	1

NOTE:		Tolerance	X. ±0.15 X.X ±0.10 X.XX ±0.05 Angular ±5°
DRAWN Zelin. CHEN		View	
CHECKED		UNIT	MM
APPROVALS John		SCALE	1:1

Dosin Industrial (H.K) Co. Ltd 东莞市德索五金电子制品有限公司 Dosin Hardware Electronics Co., Ltd		E-mail: dosin2005@163.com dosin2005@dosin-china.com Web: http://www.dosinconn.com TEL: (0086) 769-81153906 FAX: (0086) 769-81875836	
Name: TNC JACK			
SIZE A	Product NO. DOSIN-802-0006	REV A	
DateTime 2017/03/31	CAD FILE H/company drawings/BD	SHEET: 1 OF 1	