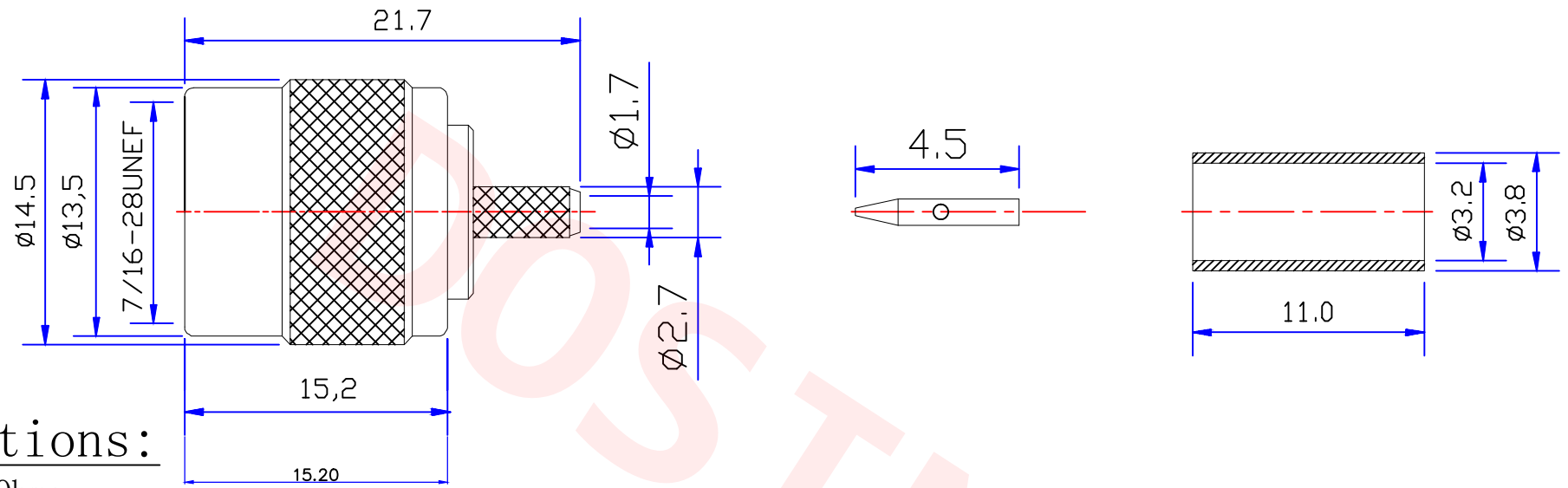




Autodesk

Product NO.		DOSIN-802-0002		
REV	DESCRIPTION	DWN	DATE	APPROVEN
	First issue	Mr. CHEN	2017/04/27	John kine



**Specifications:**

IMPEDANCE: 50 Ohms  
 Frequency range: 0~6GHZ  
 VSWR: 1.5MAX  
 Working voltage: 500V rms @ sea level  
 Insulation resistance: 5000 Ohms min  
 Temperature range: -55°C TO +155°C  
 Relative temperature: ≤95% (40° C ± 2° C)

NOTE:		Tolerance	X.	±0.15
DRAWN			X.X	±0.10
Zelin. CHEN		View	X.XX	±0.05
CHECKED			Angular	±5°
APPROVALS		UNIT	MM	
John			SCALE	1:1

<b>Dosin Industrial (H.K) Co. Ltd</b> 东莞市德索五金电子制品有限公司 <b>Dosin Hardware Electronics Co., Ltd</b>		E-mail: dosin2005@163.com dosin2005@dosin-china.com Web: http://www.dosinconn.com TEL: (0086) 769-81153906 FAX: (0086) 769-81875836	
Name: <b>TNC PLUG FOR RG316</b>			
SIZE A	Product NO.	DOSIN-802-0002	REV A
DateTime	CAD FILE	SHEET: 1 OF 1	
2017/04/27	H/company drawings/BD		

C	INSULATOR	TEFLON	NONE	1
B	CONTACT PLATING	BRASS	GOLD	1
A	BODY	BRASS	NICKEL	1
NO	DESCRIPTION	MATERIAL	FINISHED	QTY

Autodesk

Autodesk

6

6

A B C D E F G