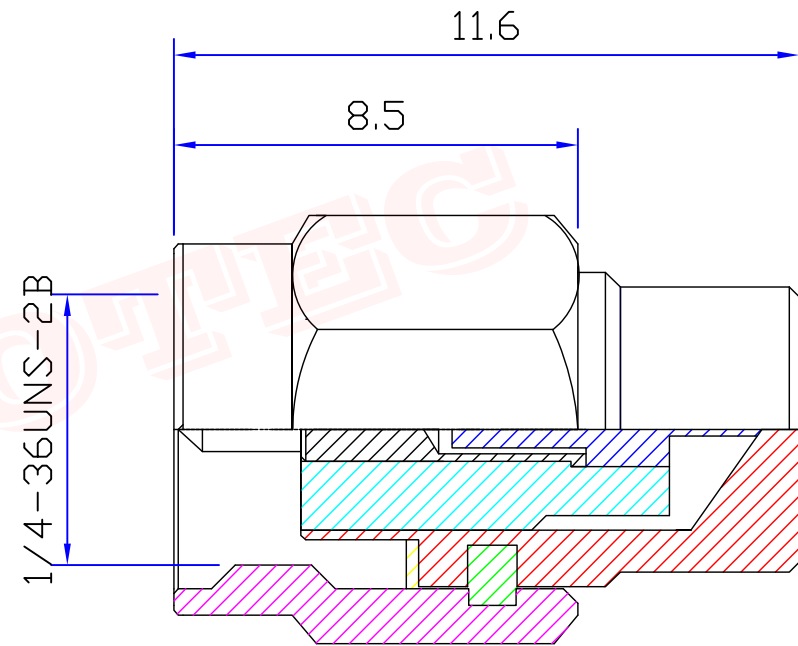
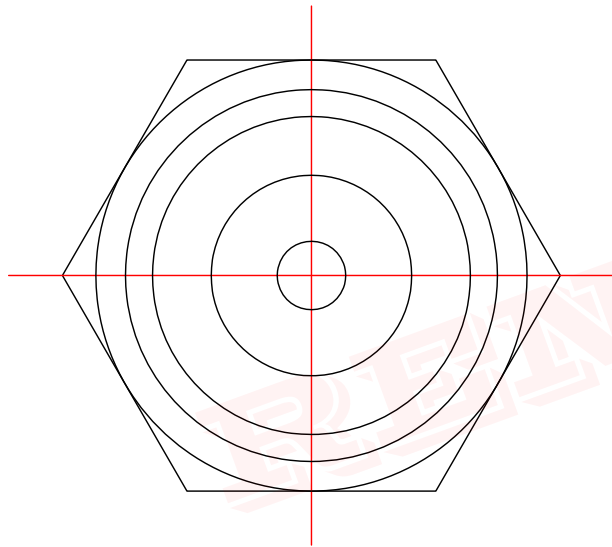




Product NO.		RHT-612-0392			
REV	DESCRIPTION	DWN	DATE	APPROVEN	
A	First issue	Gavin	2018/03/06	JIM.KING	



Specification:

Impedance: 50 Ohms
 Frequency range: 0~12GHz
 Working voltage: 335Vmax
 Insulation resistance: $\geq 5000M\Omega$
 Contact resistance: Inner conductor $\leq 2m\Omega$, Outer conductor $\leq 5000m\Omega$
 Mechanical durability: 500 times
 pressure: 1000Vrms(The sea level)
 Temperature range: -55°C TO +155°C.

3	PIN	BRASS	COLD	1
2	INSUKATOR	TEFLON	WHITE	1
1	BODY	BRASS	GOLD	1
NO	DESCRIPTION	MATERIAL	FINISH	QTY

-TOLERANCES- UNLESS OTHERWISE SPECIFIED	RENHOTEC GROUP www.renhotec.com		PART DESCRIPTION: SMA Load Connectors			
	Appd: JIM.KING Check: Draw: Gavin		P/N: RHT-612-0392 Date: 2018.03.06 Scale: Free Unit: MM Type: Z Page: 1/1			
UNLESS OTHERWISE SPECIFIED TOLERANCES FOR MILLIMETERS ARE: 0.5 - 8mm $\pm 0.20mm$ 8 - 30mm $\pm 0.40mm$ 30 -120mm $\pm 0.50mm$						