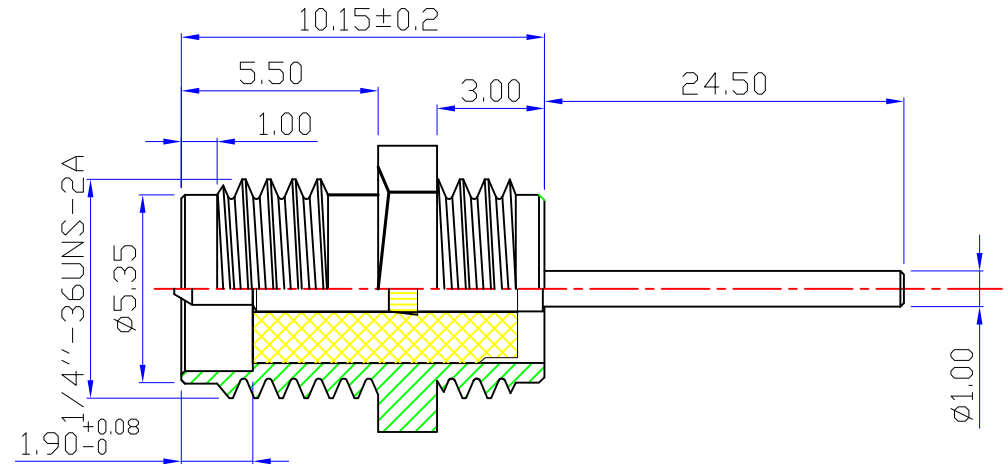
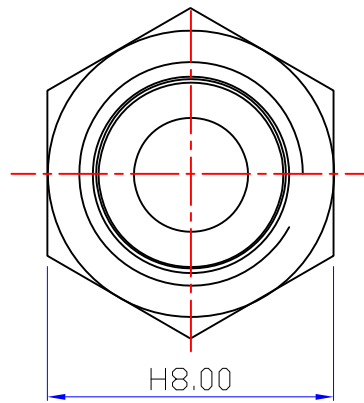




Product NO.		RHT-612-0314			
REV	DESCRIPTION	DWN	DATE	APPROVEN	
A	First issue	SAM	2016/06/25	JIM.KING	



1. Electrical Characteristics

- 1.1 Impedance: 50 Ohm
- 1.2 Working Frequency: DC - 6 GHz
- 1.3 S.W.R. :  $\leq 1.5$
- 1.4 Working Voltage: 335V / max
- 1.5 Insulation Resistance: 1000 Mohm
- 1.6 Contact Resistance: Center Contact: 5 mohm
- 1.7 Outer Contact:  $\leq 2.5$  mohm

2. Environmental

- 2.1 Working Temperature Range:  $-55^{\circ}C \sim +125^{\circ}C$
- 2.2 Salt spray test: 48H

4	BOBY	BRASS GOLD-PLATING
3	INSUALTOR	PTFE WHITE
2	PIN	BRASS GOLD-PLATING
1	BOBY	BRASS GOLD-PLATING
No.	Description	Material

-TOLERANCES- UNLESS OTHERWISE SPECIFIED		<b>RENHOTEC GROUP</b> <a href="http://www.renhotec.com">www.renhotec.com</a>	
		Title: RP SMA JACK CONNECTOR	
0. $\pm 20$	0. $\pm 30^{\circ}$	Appd:	P/N: RHT-612-0314
0.0 $\pm 15$	0.0 $\pm 25^{\circ}$	Check: Xiong Tan	Date
0.00 $\pm 10$	0.00 $\pm 20^{\circ}$	Draw.: Owen	Scale
		2016.06.25	Unit
		Free	Type
		MM	Page
		Z	1/1