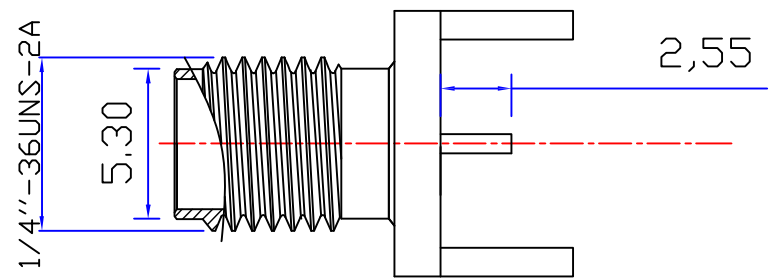
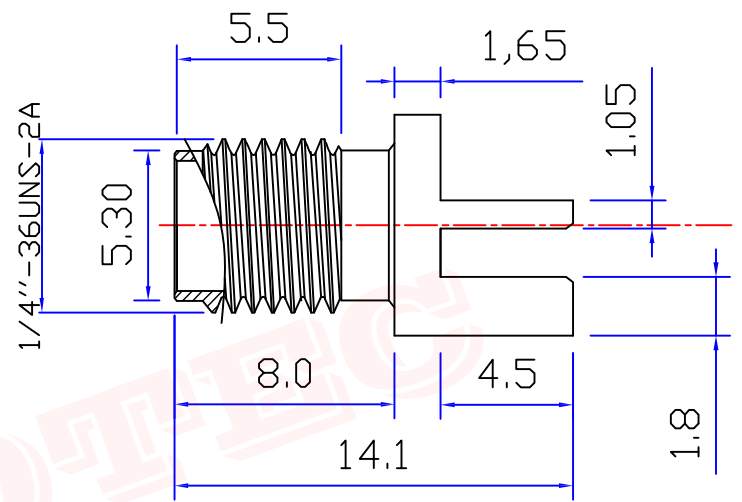
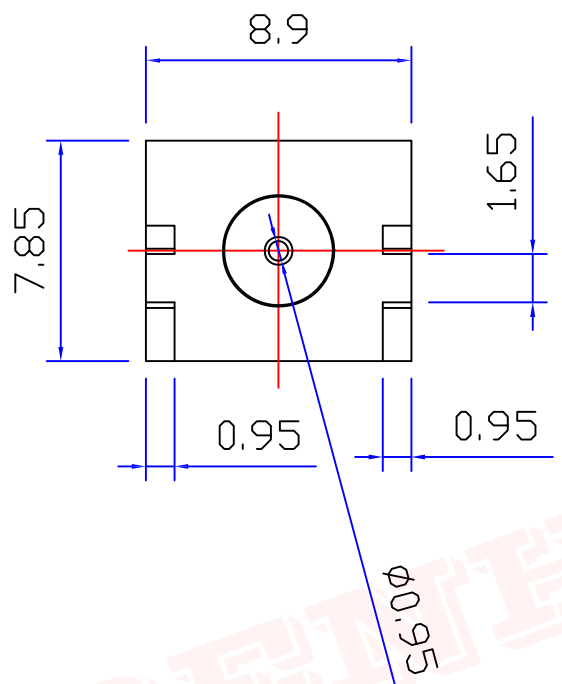
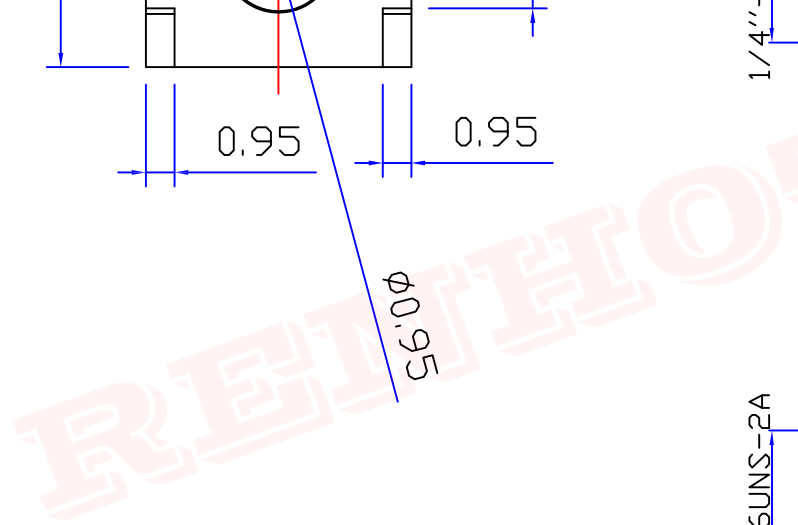




Product NO.		RHT-612-0098		
ISSUE	DESCRIPTION	DWN	DATE	APPROVEN
Frist	First issue	Gavin	2018/08/14	JIM. KING



Specifications:
 IMPEDANCE: 50 Ohms
 Frequency range: 0~6GHZ
 VSWR: 1.3MAX
 Working voltage: 500V rms @ sea level
 Insulation resistance: 5000 Ohms min
 Temperature range: -55°C TO +155°C
 Relative temperature: ≤95% (40° C ± 2° C)



NO	DESCRIPTION	MATERIAL	FINISHED	QTY
5	INSUALTOR 2	PTFE	WHITE	1
4	CENTER PIN	BRASS	GOLD-PLATING	1
3	INSUALTOR 1	PTFE	WHITE	1
2	BOBY 2	BRASS	GOLD-PLATING	1
1	BOBY 1	BRASS	GOLD-PLATING	1

-TOLERANCES- UNLESS OTHERWISE SPECIFIED UNLESS OTHERWISE SPECIFIED TOLERANCES FOR MILLIMETERS ARE: 0.5 - 8mm ± 0.10mm 8 - 30mm ± 0.15mm 30 - 120mm ± 0.20mm	RENHOTEC GROUP www.renhotec.com		PART DESCRIPTION: SMA Jack Connector DNN			
	Appr: JIM. KING Check: Draw: Gavin	P/N: RHT-612-0098 Date: 2018.08.14		Scale: Free	Unit: MM	Type: Z Page: 1/1