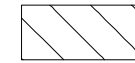
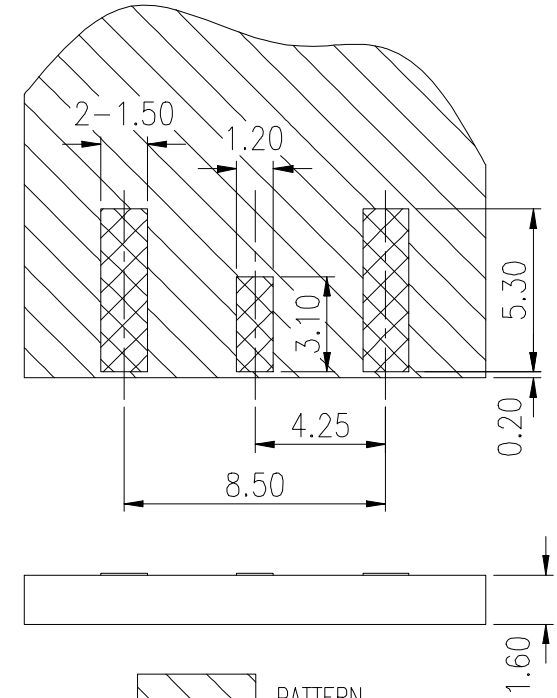
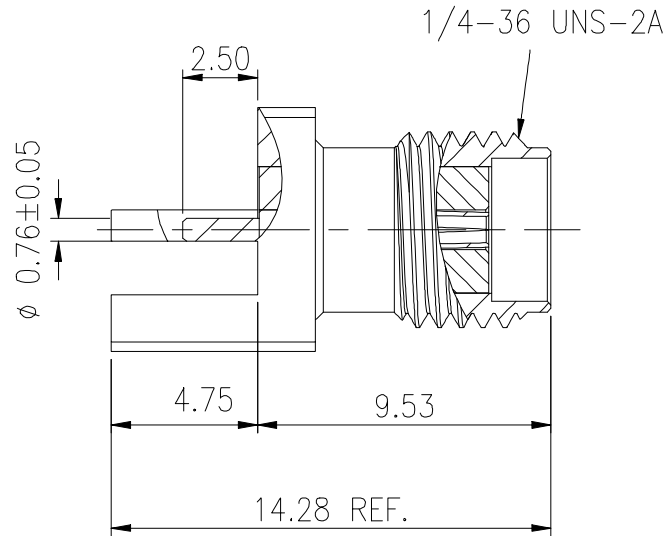
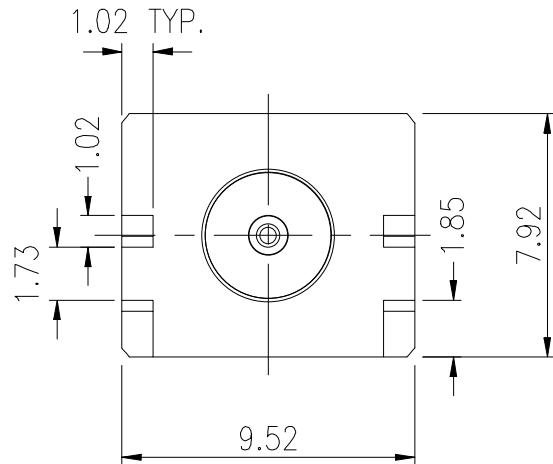


SCALE 2:1



PATTERN



LAND FOR SOLDER PASTE

P.C.B. LAYOUT DIM.

Specifications:

- IMPEDANCE: 50 Ohms
- Frequency range: 0~6GHZ
- VSWR: 1.5MAX
- Voltage Rating: 335 Volts RMS Continuous
- Dielectric withstand voltage: 1000 V
- Service life: ≥500
- Insulation Resistance ≥5000MΩ
- Center contact resistance: ≤3mΩ
- Outer contact resistance: ≤2mΩ
- Operation Temperature: -55°C ~ +165°C

ISSUE	DESCRIPTION	DWN	DATE	APPROVEN
A	First issue	Gavin	2018/06/04	JIM. KING
B	variation of parameters	Li	2026/02/04	Jason

NO	DESCRIPTION	MATERIAL	FINISH	QTY
5				1
4				1
3	Center contact	BRASS	GOLD	1
2	INSULATOR	TEFLON	WHITE	1
1	BODY	BRASS	GOLD	1

-TOLERANCES- UNLESS OTHERWISE SPECIFIED		RENHOTEC GROUP			
		PART DESCRIPTION: SMA JACK EDGE MOUNT CONNECTOR			
UNLESS OTHERWISE SPECIFIED TOLERANCES FOR MILLIMETERS ARE: 0.5 - 8mm ± 0.10mm 8 - 30mm ± 0.15mm 30 - 120mm ± 0.20mm		Appr: Jason		P/N: RHT-612-0096	
Check: Jason		Date	Scale	Unit	Type
Draw: Li		2026.02.04	Free	MM	Z
					Page
					1/1