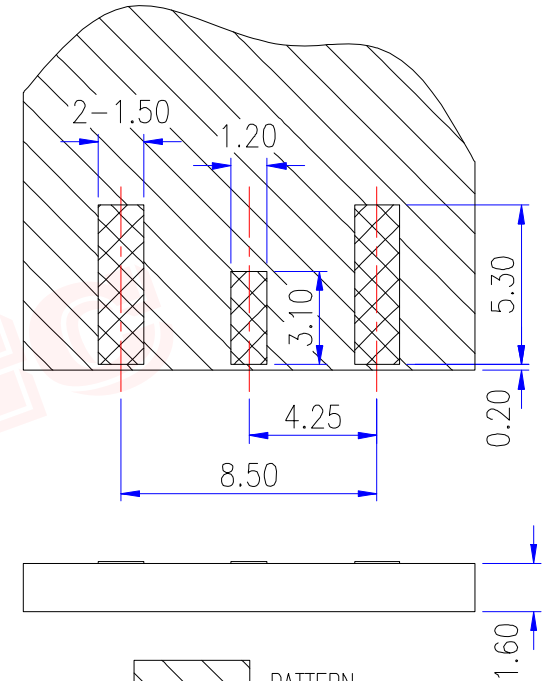
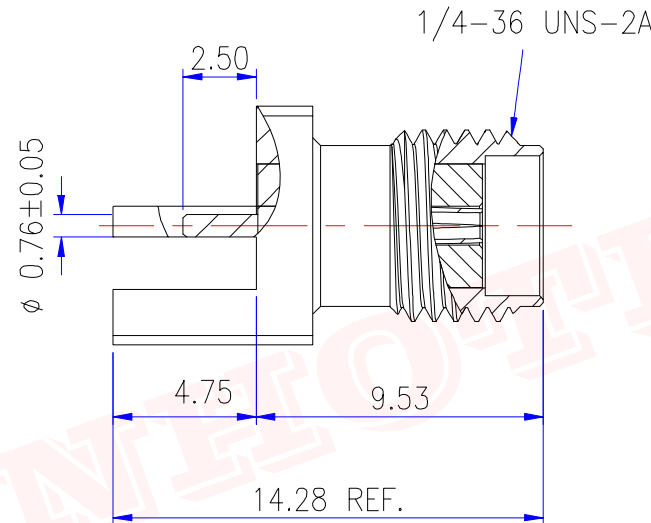
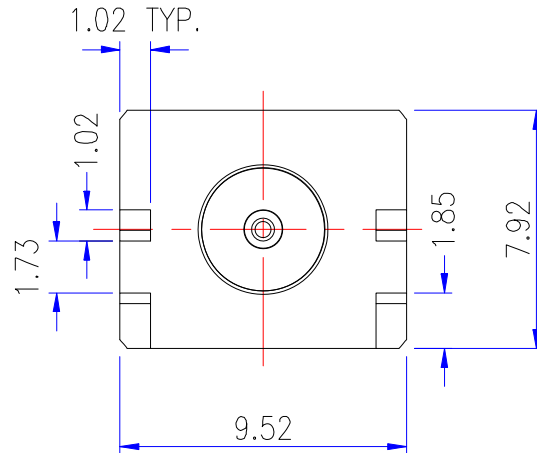


SCALE 2:1

Product NO.		RHT-612-0096			
ISSUE	DESCRIPTION	DWN	DATE	APPROVEN	
Frist	First issue	Gavin	2018/06/04	JIM. KING	



P.C.B. LAYOUT DIM.

Specifications:
 IMPEDANCE: 50 Ohms
 Frequency range: 0~6GHZ
 VSWR: 1.5MAX
 Working voltage: 500V rms @ sea level
 Insulation resistance: 5000 Ohms min
 Temperature range: -55°C TO +155°C
 Relative temperature: ≤95% (40° C ± 2° C)

5				1
4				1
3	Center contact	BRASS	GOLD	1
2	INSULATOR	TEFLON	WHITE	1
1	BODY	BRASS	GOLD	1
NO	DESCRIPTION	MATERIAL	FINISH	QTY

-TOLERANCES- UNLESS OTHERWISE SPECIFIED UNLESS OTHERWISE SPECIFIED TOLERANCES FOR MILLIMETERS ARE: 0.5 - 8mm ± 0.10mm 8 - 30mm ± 0.15mm 30 - 120mm ± 0.20mm		RENHOTEC GROUP				
		PART DESCRIPTION: SMA JACK EDGE MOUNT CONNECTOR				
Appr: JIM. KING	P/N: RHT-612-0096					
Check:	Date	Scale	Unit	Type	Page	
Draw: Gavin	2018.06.04	Free	MM	Z	1/1	