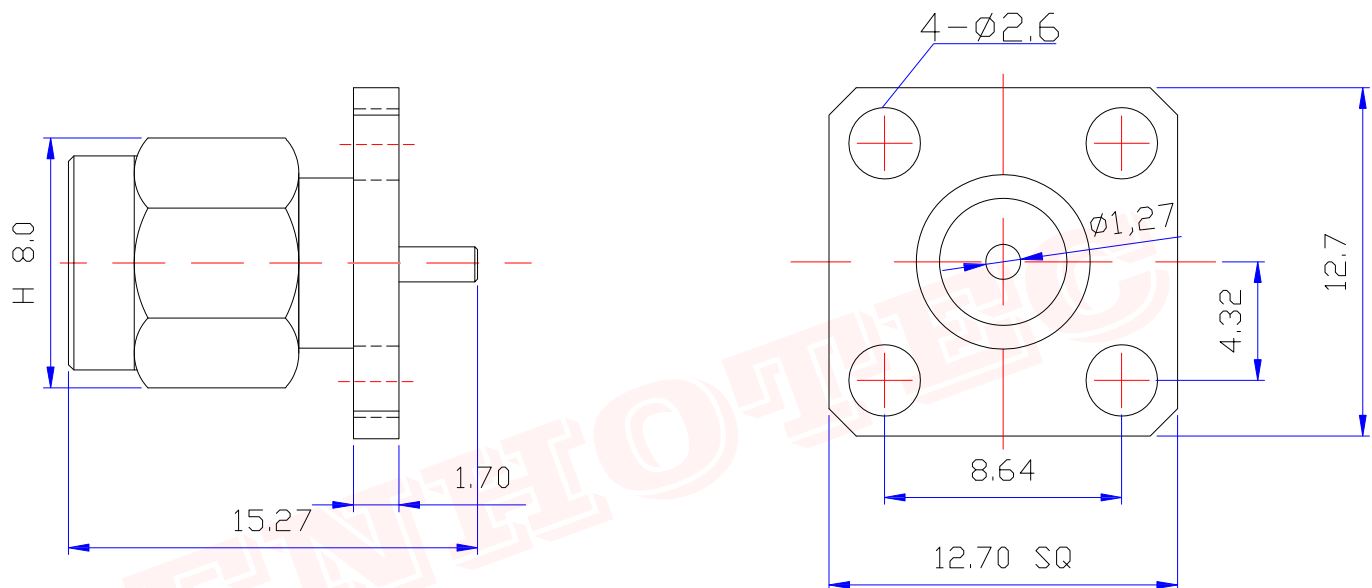
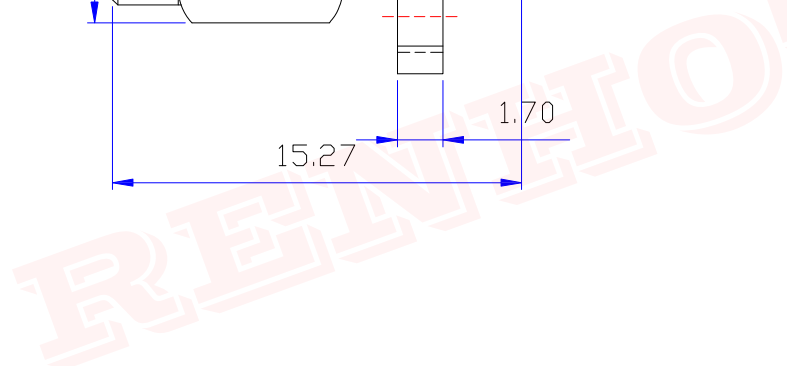




Product NO.		RHT-612-0019		
ISSUE	DESCRIPTION	DWN	DATE	APPROVEN
Frist	First issue	Mr:chen	2016/04/12	JIM. KING



Specifications:
 IMPEDANCE: 50 Ohms
 Frequency range: 0~6GHZ
 VSWR: 1.5MAX
 Working voltage: 500V rms @ sea level
 Insulation resistance: 5000 Ohms min
 Temperature range: -55°C TO +155°C
 Relative temperature: ≤95% (40° C ± 2° C)



NO	DESCRIPTION	MATERIAL	FINISH	QTY
3	PIN	BRASS	Au: 3u"	1
2	CENTER CONTACT	TEFLON	None	1
1	BODY	BRASS	Au: 1u"	1

-TOLERANCES- UNLESS OTHERWISE SPECIFIED UNLESS OTHERWISE SPECIFIED TOLERANCES FOR MILLIMETERS ARE: 0.5 - 8mm ± 0.10mm 8 - 30mm ± 0.15mm 30 - 120mm ± 0.20mm	RENHOTEC GROUP www.renhotec.com		PART DESCRIPTION: SMA panel plug 4-hole square flange mount			
	Appr: JIM. KING Check: Draw: Mr:chen	P/N: RHT-612-0019 Date: 2016. 04. 12		Scale: Free	Unit: MM	Type: Z Page: 1/1