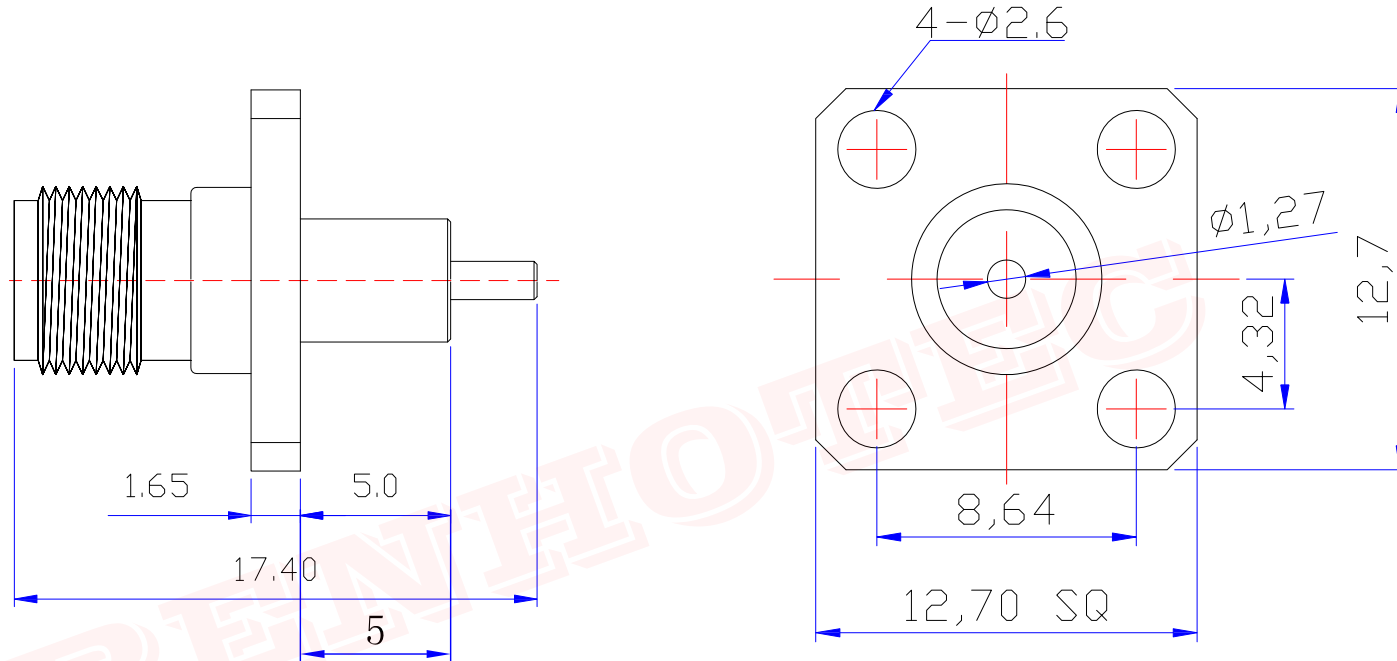




Product NO.		RHT-612-0018		
ISSUE	DESCRIPTION	DWN	DATE	APPROVEN
A	First issue	Gavin	2016/04/12	JIM. KING
B	First issue	Gavin	2018/11/22	JIM. KING



Specifications

Impedance: 50 Ohms
 Frequency Range: 0~12GHz
 VSWR: 1.3MAX
 Working Voltage: 500V rms @ sea level
 Insulation Resistance: 5000 Ohms min
 Temperature Range: -55°C TO +155°C
 Relative Temperature: ≤95% (40° C ±2° C)
 Drawings products are in line with ROHS standards

NO	Material	Finish
3	Center contact	Phosphor Au: 3u"
2	Insulator	TEFLON White
1	Body	Brass Au: 1u"

-TOLERANCES- UNLESS OTHERWISE SPECIFIED	RENHOTEC GROUP										
	PART DESCRIPTION: SMA panel jack 4-hole square flange mount										
UNLESS OTHERWISE SPECIFIED TOLERANCES FOR MILLIMETERS ARE: 0.5 - 8mm ± 0.10mm 8 - 30mm ± 0.15mm 30 - 120mm ± 0.20mm	Appr: JIM. KING	P/N: RHT-612-0018									
	Check:	<table border="1"> <tr> <th>Date</th> <th>Scale</th> <th>Unit</th> <th>Type</th> <th>Page</th> </tr> <tr> <td>2018. 11. 22</td> <td>Free</td> <td>MM</td> <td>Z</td> <td>1/1</td> </tr> </table>	Date	Scale	Unit	Type	Page	2018. 11. 22	Free	MM	Z
Date	Scale	Unit	Type	Page							
2018. 11. 22	Free	MM	Z	1/1							