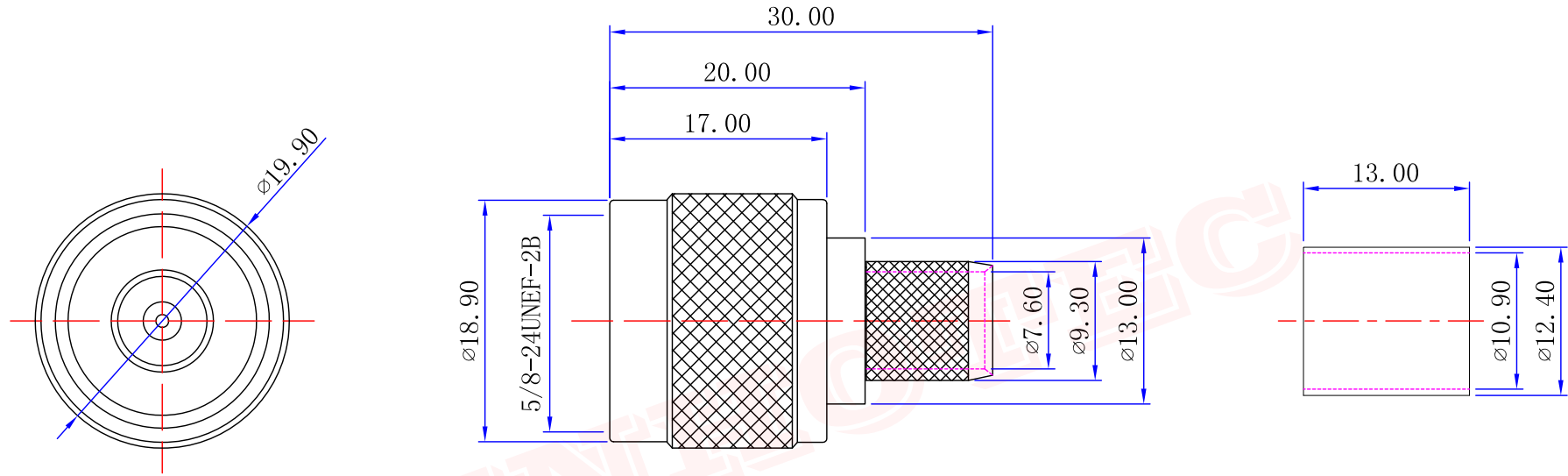




Product NO.		RHT-614-0258		
REV	DESCRIPTION	DWN	DATE	APPROVEN
A	First issue	Gavin	2018/10/18	JIM. KING



Specifications

Impedance: 50 Ohms
 Frequency Range: 0-11G
 VSWR: 1.3MAX
 Working Voltage: 1000 VRMS (max at sea level)
 Dielectric Withstanding Voltage: 1500 vrms (max at sea level)
 Insulation Resistance: 5000 Ohms min
 Durability Mating: 500 Cycles min
 Temperature Range: -65°C TO +165°C

4	FERRULE	BRASS	NICKEL	1
3	PIN	BRASS	GOLD	1
2	INSUKATON	TEFLON	WHITE	1
1	BODY	BRASS	NICKEL	1
NO	DESCRIPTION	MATERIAL	FINISH	QTY

-TOLERANCES- UNLESS OTHERWISE SPECIFIED UNLESS OTHERWISE SPECIFIED TOLERANCES FOR MILLIMETERS ARE: 0.5 - 8mm ± 0.10mm 8 - 30mm ± 0.15mm 30 - 120mm ± 0.20mm	RENHOTEC GROUP														
	PART DESCRIPTION: N CRIMP PLUG FOR RG11 CABLE														
Appd: JIM. KING Check: Draw: Gavin	P/N: RHT-614-0258 <table border="1"> <tr> <td>Date</td> <td>Scale</td> <td>Unit</td> <td>Type</td> <td>Page</td> </tr> <tr> <td>2018. 10. 18</td> <td>Free</td> <td>MM</td> <td>Z</td> <td>1/1</td> </tr> </table>					Date	Scale	Unit	Type	Page	2018. 10. 18	Free	MM	Z	1/1
Date	Scale	Unit	Type	Page											
2018. 10. 18	Free	MM	Z	1/1											